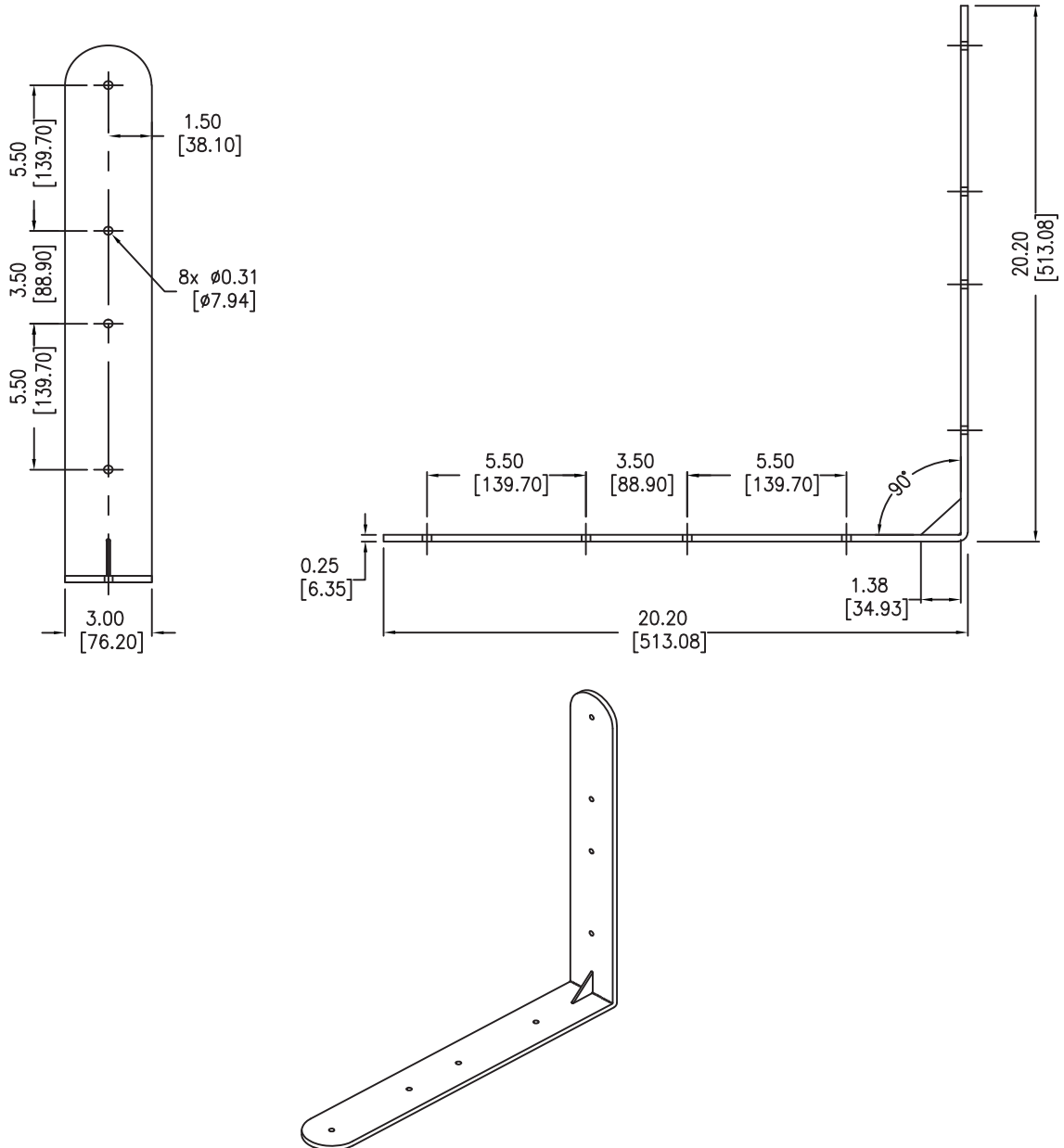




ASI Storage Solutions

BENCH BACK BRACKET

PART# 11-906BACK



Specification

0.250 THICK COLD ROLLED STEEL WITH DIAGONAL BRACE AND ROUNDED EDGES