

# PEDESTAL AND BENCH TOP INSTALLATION INSTRUCTIONS

## GENERAL INSTRUCTIONS

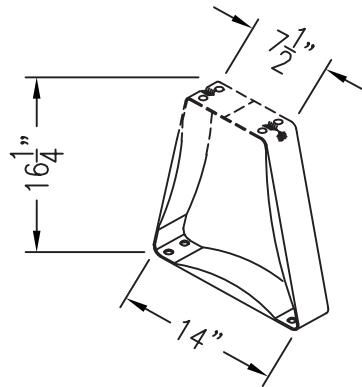
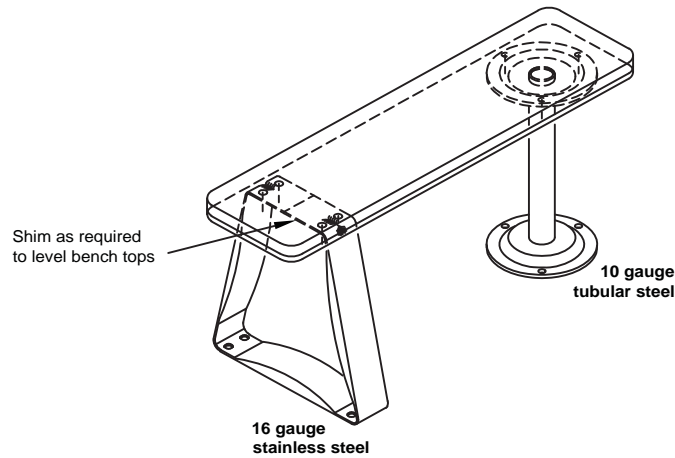
1. Check all material against packing slip to be sure it is correct and free from damage.
2. Identify all parts as they are unpacked
3. Please read all instructions prior to assembly.
4. Use correct hardware as specified in the assembly instructions.

## CAUTION

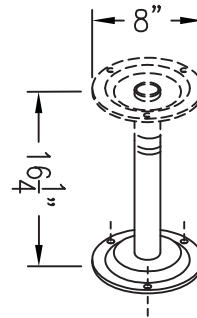
Handle all components carefully when assembling benches. Install all benches plumb and tighten all hardware securely. Retain instructions for future reference.

## GENERAL ASSEMBLY FOR PEDESTALS

Using the pedestal as a template, locate centers. Drill pilot holes and attached pedestals to bench with the screws provided. Floor anchors to be provided by the installer.

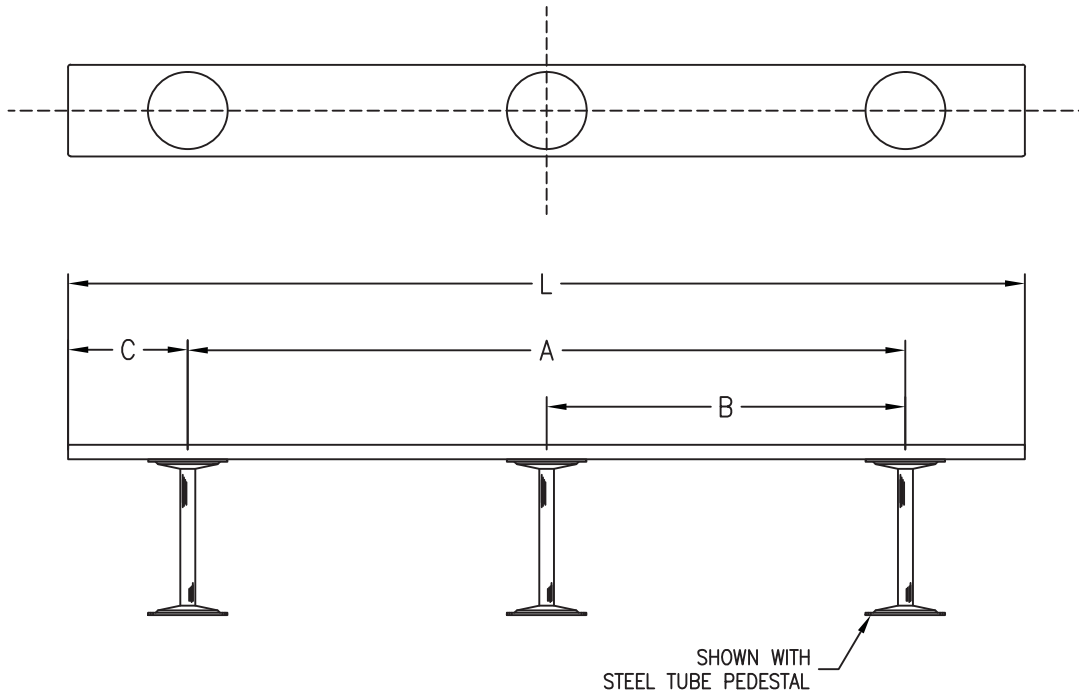


(4) 1/4" X 3/4" Lag Screw



(3) 1/4" X 3/4" Lag Screw

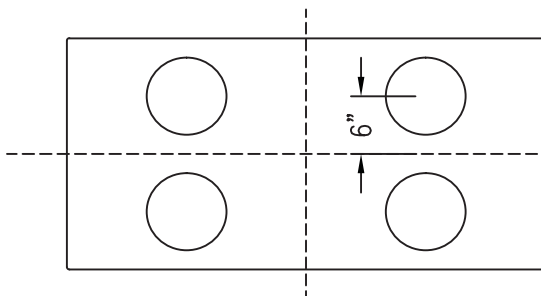
Note: 3/16" drill is recommended for pilot holes



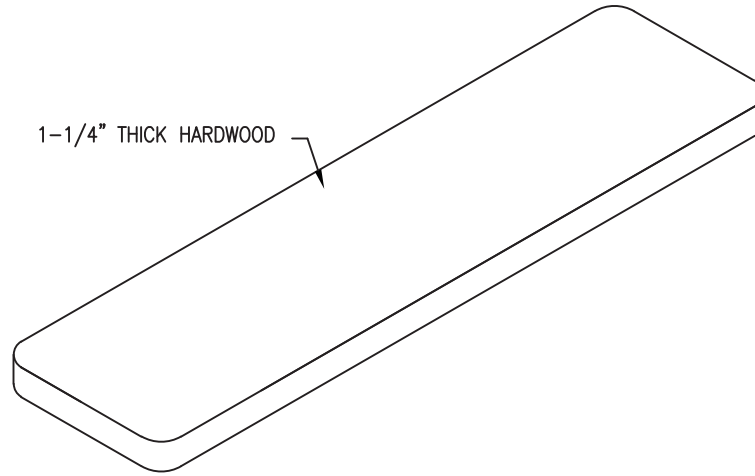
QTY OF PEDESTALS	
3 Ft	2
4 Ft	2
5 Ft	2
6 Ft	2
7 Ft	2
8 Ft	2
9 Ft	3
10 Ft	3
11 Ft	3
12 Ft	3

LENGTH	L	A	B	C
3 Ft	36"	24"	X	6"
4 Ft	48"	32"	X	8"
5 Ft	60"	40"	X	10"
6 Ft	72"	48"	X	12"
7 Ft	84"	60"	X	12"
8 Ft	96"	60"	X	18"
9 Ft	108"	84"	42"	12"
10 Ft	120"	96"	48"	12"
11 Ft	132"	108"	54"	12"
12 Ft	144"	120"	60"	12"

\*Bench pedestals shall be spaced no more than 60" O.C.



24" wide benches shall have (2) steel pedestals at each support point.



LENGTH	WIDTH		
	9 1/2"	12"	24"
36		NA	NA
48			
60		NA	
72			
84		NA	
96			
108			
120			
132			
144			

(Standard Sizes)

**SPECIFICATIONS**

Wooden bench tops shall be constructed of 1-1/4" thick hardwood. Bench tops shall have a smooth finish. Edges shall be slightly rounded. Pedestals shall be spaced no more than 60" apart O.C.