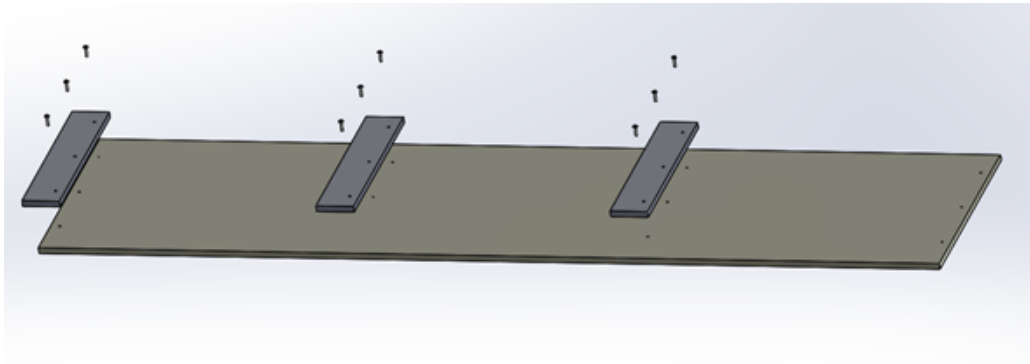


Part List Per Kit

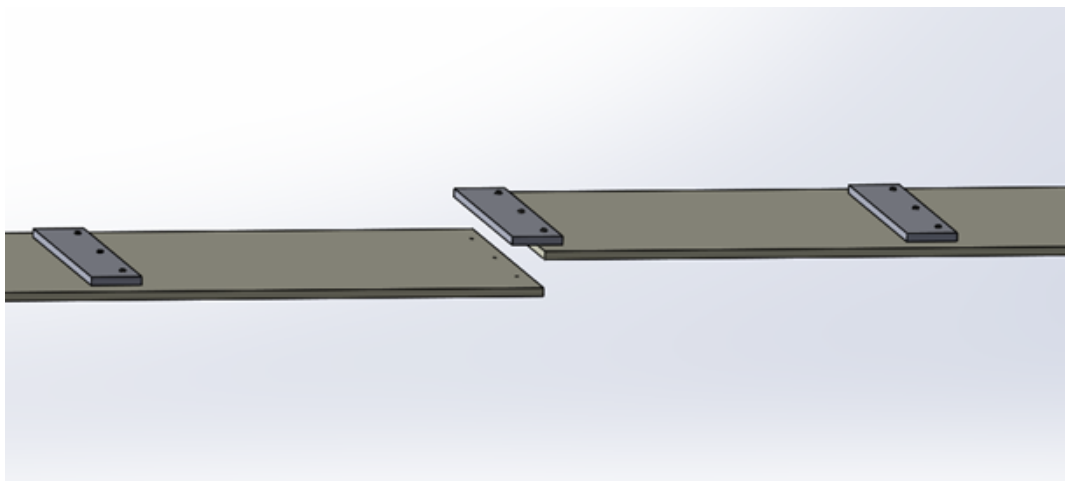
Part	Part #	Description	Qty.
A	11-972XX1-S	Solid Plastic Slope Top	1
B	11-8XX031	Phenolic Brace	3
C	65-19536	.75" Screw	8-1212

Recommended Tools: #2 Square Bit

Align pre-drilled holes on phenolic brace with holes on the underside of the Polymer Slope Top. Use 0.75" screw (C) to fasten together. Be careful not to over-tighten screws.



Depending on the direction that the slope tops are being installed one set of the brace holes **may not be used**. This is to account for the overlap of the adjacent slope top as shown below.



Details above are the underside of the Slope Top and will be hidden when installed. Slope Tops are not connected, and are installed as one 72" piece (maximum length).