



ASI Storage Solutions

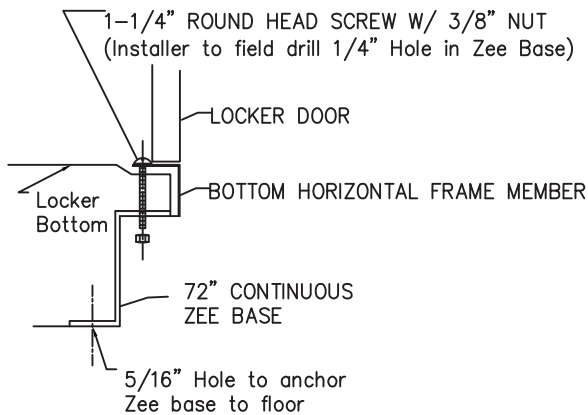
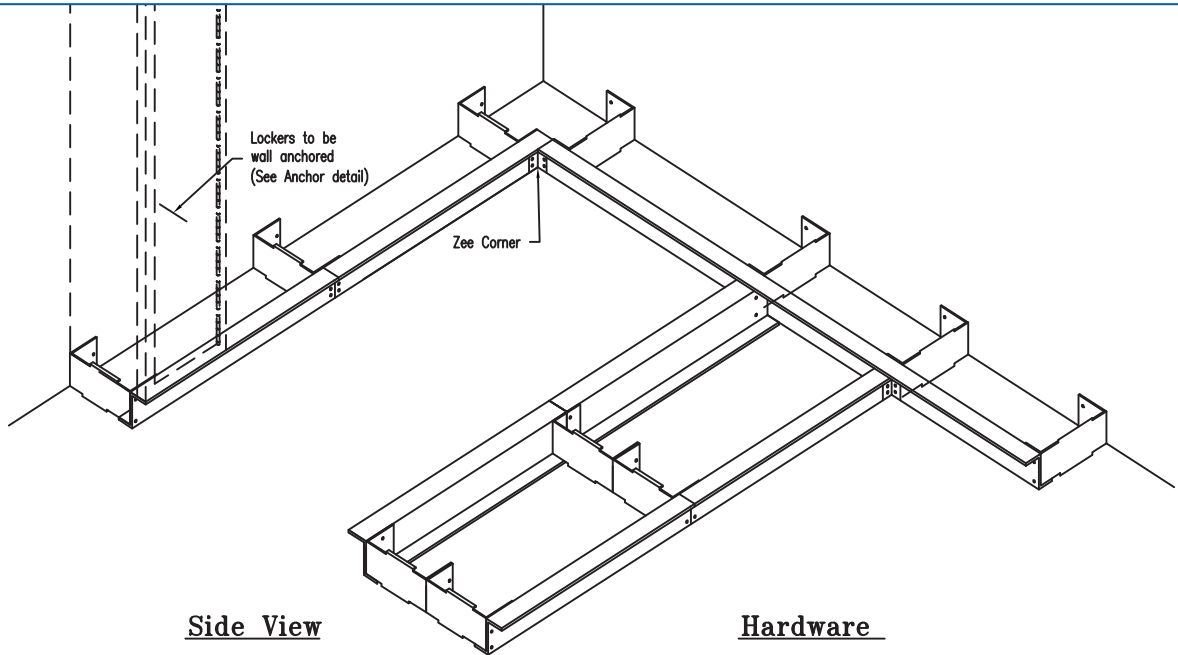
ZEE BASE INSTALLATION INSTRUCTIONS

General Instructions

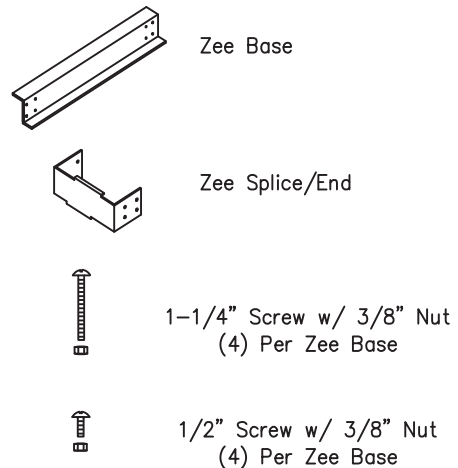
1. Please read all instructions prior to assembly.
2. Check all material against packing slip, to be sure it is correct and free from damage.
3. Identify all parts as they are unpacked.
4. Use correct hardware as specified in the assembly instructions.

Caution

Handle all components carefully when assembling Zee Base. Tighten all hardware securely. Retain assembly instructions for future reference.



Hardware



NOTE: Zee Base is in lengths of 72" only, the zee base shall be cut in field to desired length.

1. Chalk a line for positioning using Splice/End as a template.
2. Use the two sets of holes on the Splice/End to bolt Zee base lengths together.
3. Recheck positioning of Zee Base.
4. Anchor Zee bases and Splice/End to floor with proper drill and bolt for the floor surface. (Provided by installer)
5. Place assembled lockers on Zee Base.
6. Use the bottom hole of the Door Frame to position drill. Drill a 1/4" hole through top of Zee Base
7. Place a bolt through Door Frame and Zee Base and tighten.
8. Lockers to be wall anchored (Single row) or anchored back to back.

