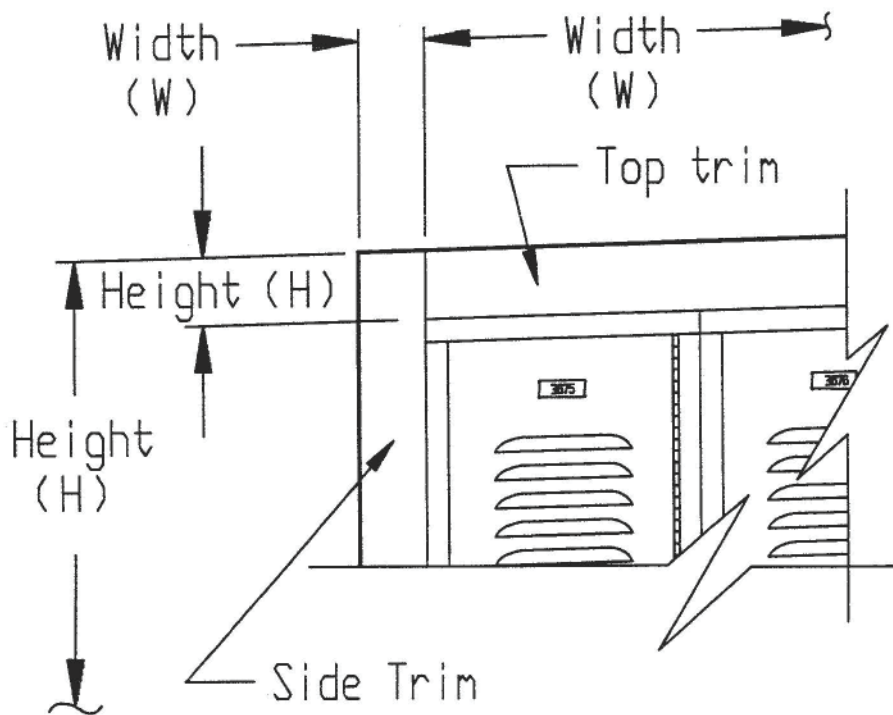


RECESS

Date Issued 01-17



SIZE (inches)	
W	H
SIDE TRIM LEFT HAND	
3	63
3	75
SIDE TRIM RIGHT HAND	
3	63
3	75
TOP TRIM	
74	3
SPlice	
2	3

**SPECIFICATION**

Recess Trim shall be 18 gauge sheet steel, powder coated to match the color of the lockers. Trim shall have a 3 inch face and shall be attached to the lockers with concealed clips. Finished cap and end caps shall be provided as required.

THIS MANUFACTURER RESERVES THE RIGHT TO MAKE CHANGES IN DESIGN OR DIMENSIONS WITHOUT FORMAL NOTICE