

PEDESTAL & BENCH TOP

Date Issued 01-17

PEDESTAL AND BENCH TOP INSTALLATION INSTRUCTIONS

GENERAL INSTRUCTIONS

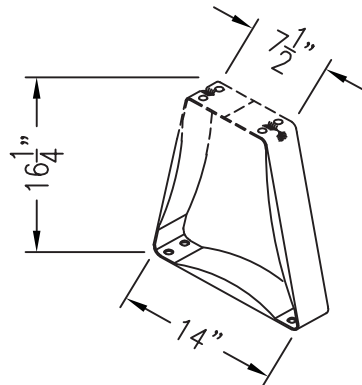
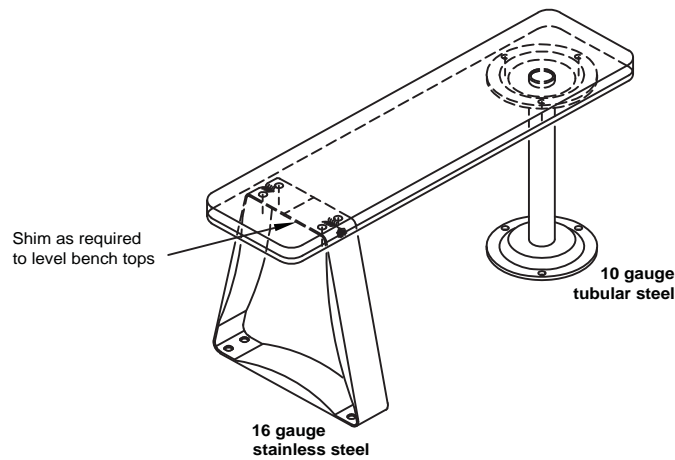
1. Check all material against packing slip to be sure it is correct and free from damage.
2. Identify all parts as they are unpacked
3. Please read all instructions prior to assembly.
4. Use correct hardware as specified in the assembly instructions.

CAUTION

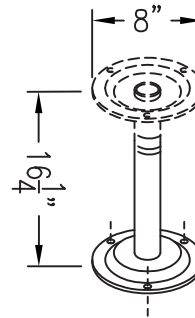
Handle all components carefully when assembling benches. Install all benches plumb and tighten all hardware securely. Retain instructions for future reference.

GENERAL ASSEMBLY FOR PEDESTALS

Using the pedestal as a template, locate centers. Drill pilot holes and attached pedestals to bench with the screws provided. Do not remove screws from bench to use for pedestals. Floor anchors to be provided by the installer.

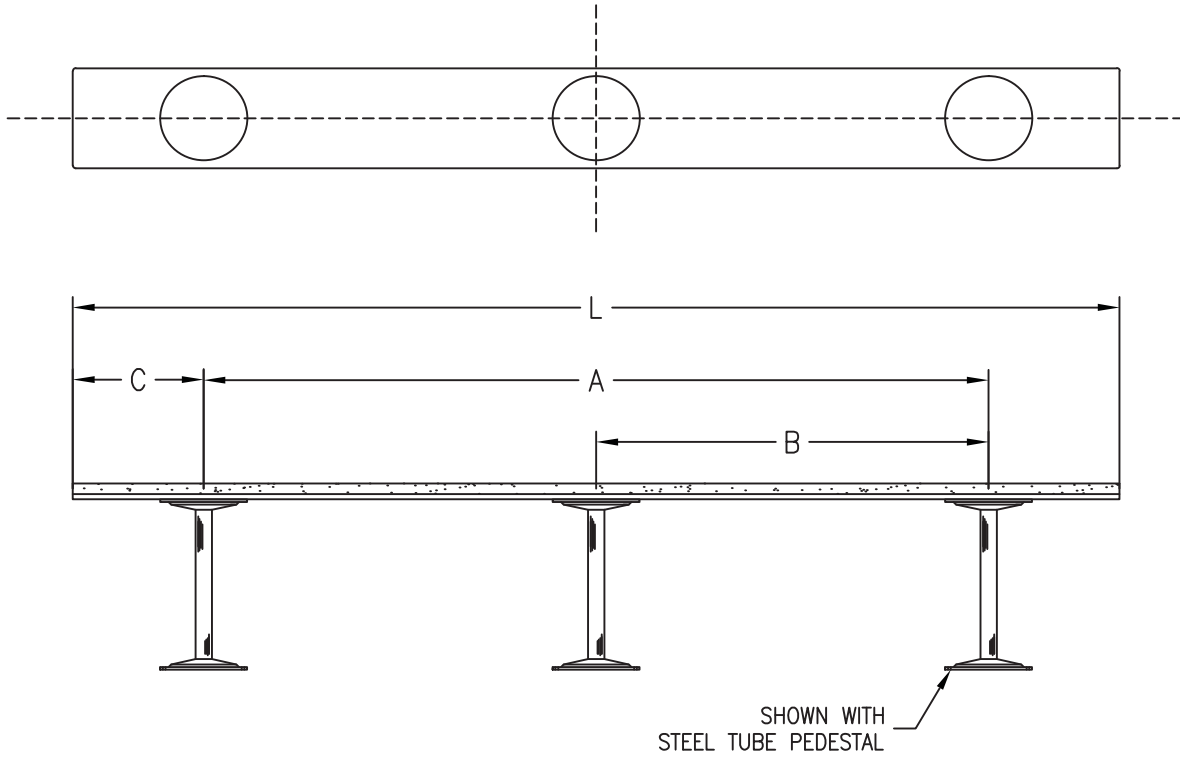


(4) 1/4" X 3/4" Lag Screw



(3) 1/4" X 3/4" Lag Screw

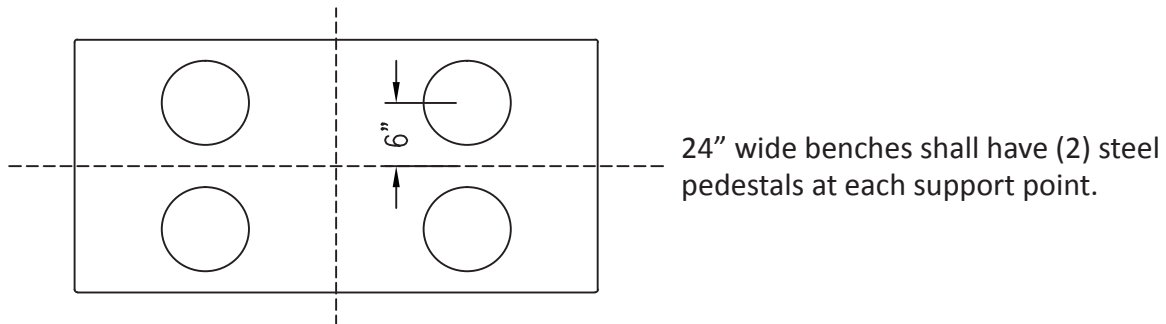
Note: 3/16" drill is recommended for pilot holes

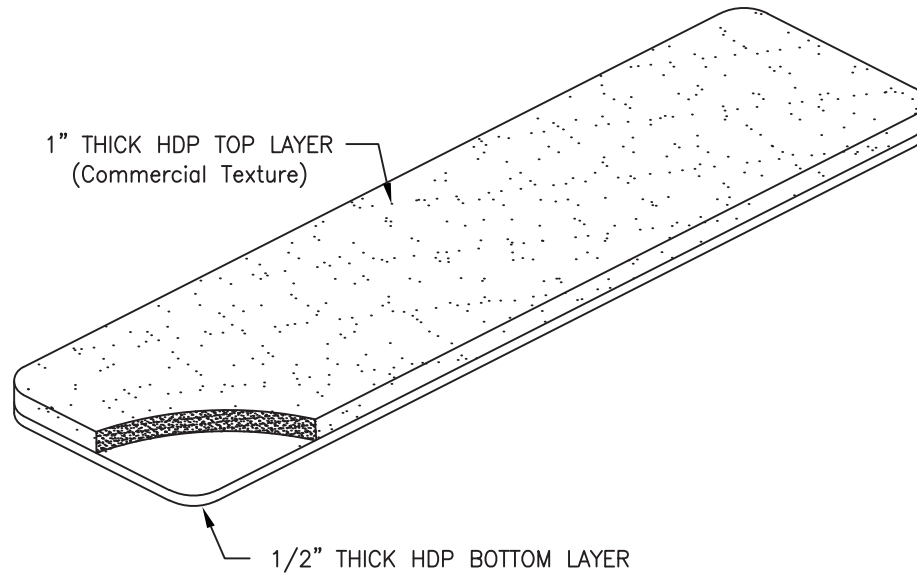


QTY OF PEDESTALS	
3 FT	2
4 FT	2
5 FT	3
6 FT	3

LENGTH	L	A	B	C
3 FT	36"	18"	X	9"
4 FT	48"	30"	X	9"
5 FT	60"	42"	21"	9"
6 FT	72"	54"	27"	9"

*Bench pedestals shall be spaced no more than 48" O.C.





LENGTH	WIDTH		
	9 1/2"	12"	24"
36			
48			
60			
72			

(Standard Sizes)

SPECIFICATIONS

Solid Plastic bench top shall consist of a 1" thick top layer and 1/2" thick bottom layer of high density polyethylene fastened together with stainless steel fasteners. Bench tops shall be commercial texture and all corners shall be rounded. Pedestals shall be replaced no more than 30" apart on center.