

PEDESTAL AND BENCH TOP INSTALLATION INSTRUCTIONS

GENERAL INSTRUCTIONS

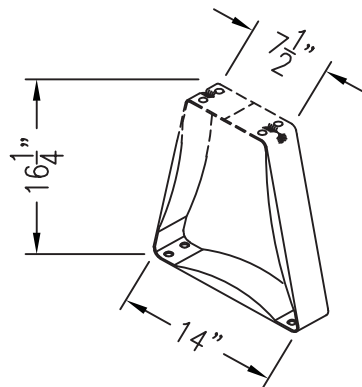
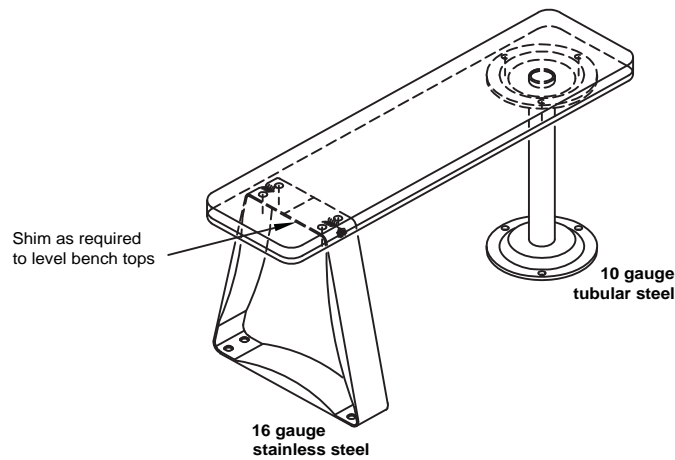
1. Check all material against packing slip to be sure it is correct and free from damage.
2. Identify all parts as they are unpacked
3. Please read all instructions prior to assembly.
4. Use correct hardware as specified in the assembly instructions.

CAUTION

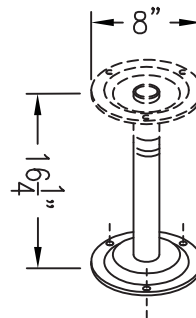
Handle all components carefully when assembling benches. Install all benches plumb and tighten all hardware securely. Retain instructions for future reference.

GENERAL ASSEMBLY FOR PEDESTALS

Using the pedestal as a template, locate centers. Drill pilot holes and attached pedestals to bench with the screws provided. Floor anchors to be provided by the installer.

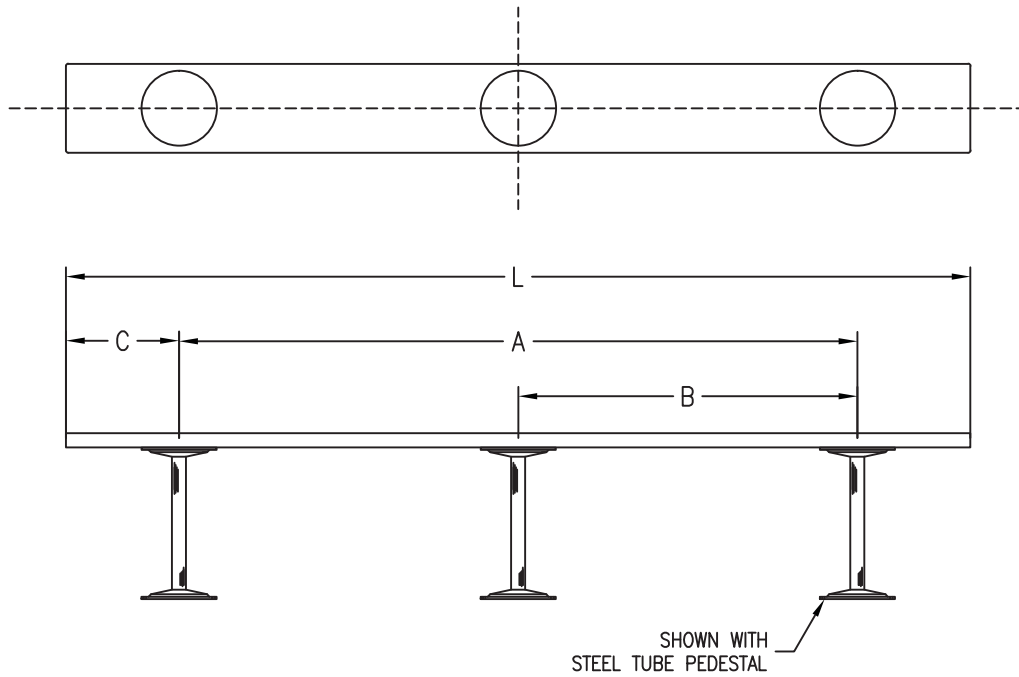


(4) 1/4" X 3/4" Lag Screw



(3) 1/4" X 3/4" Lag Screw

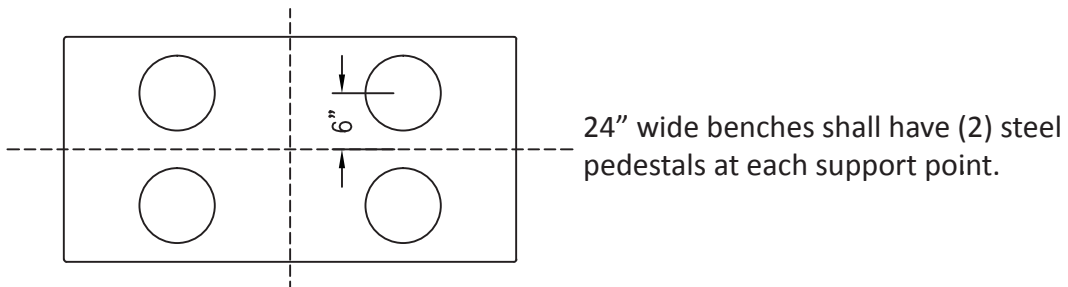
Note: 13/64" drill is recommended for pilot holes

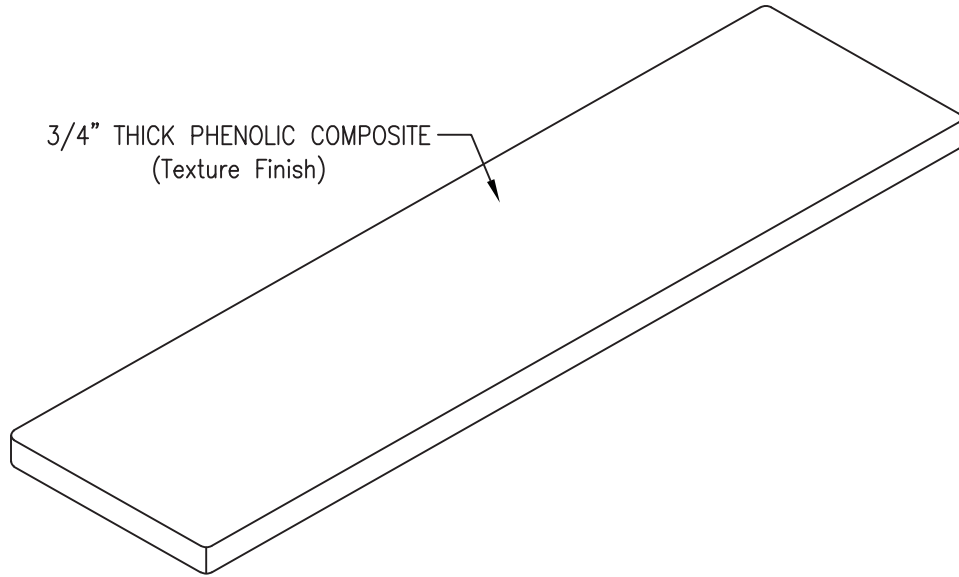


QTY OF PEDESTALS	
3 Ft	2
4 Ft	2
5 Ft	2
6 Ft	2
7 Ft	2
8 Ft	3
9 Ft	3
10 Ft	3

LENGTH	L	A	B	C
3 Ft	36"	24"	X	6"
4 Ft	48"	32"	X	8"
5 Ft	60"	40"	X	10"
6 Ft	72"	48"	X	12"
7 Ft	84"	48"	X	18"
8 Ft	96"	72"	36	12"
9 Ft	108"	84"	42"	12"
10 Ft	120"	96"	48"	12"

*Bench pedestals shall be spaced no more than 48" O.C.:





LENGTH	WIDTH		
	9 1/2"	12"	24"
36			
48			
60			
72			
84			
96			
108			
120			

(Standard Sizes)

SPECIFICATIONS

Phenolic bench tops shall be constructed of 3/4" thick phenolic composite panel. Bench tops shall have textured finish. Edges shall be brushed and slightly rounded. Pedestals shall be spaced no more than 48" apart O.C.