

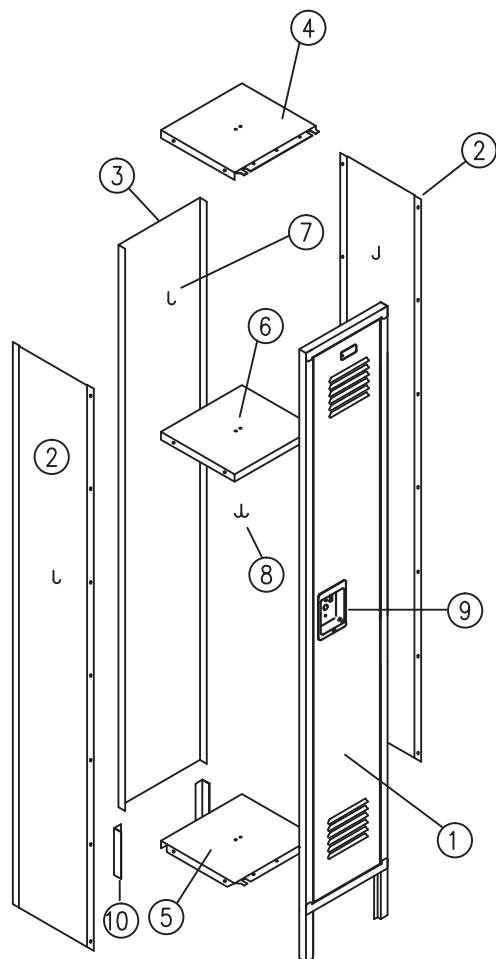
LOCKER ASSEMBLY INSTRUCTIONS

GENERAL INSTRUCTIONS

1. Check all material against packing slip to be sure it is correct and free from damage.
2. Identify all parts as they are unpacked
3. Please read all instructions prior to assembly.
4. Use correct hardware as specified in the assembly instructions.

CAUTION

Handle all components carefully when assembling Lockers. Tighten all hardware securely. Retain instructions for future reference



- ① DOOR / FRAME
- ② SIDE: (2) FOR STARTER. Each additional locker that is connected to a Starter Locker will share a side up to 48"
- ③ BACK
- ④ TOP – Note Notches
- ⑤ BOTTOM – Heavier Gauge. Note Notches.
- ⑥ HAT SHELF
- ⑦ SGL PRONG HOOK
- ⑧ DBL PRONG HOOK
- ⑨ RECESSED CUP: LATCHING WILL VARY BASED UPON TIER AND STYLE.
- ⑩ REAR LEGS – If needed

Tool List

- 3/8" Nut Drive
- Anchoring Hardware (Not provided by ASI)
- Awl or Punch (To insert into holes to align panels properly)
- Rivet Gun (For number plate install)
- Rubber Mallet (For adjustments)
- Saw (To cut hoods and bases to desired length)

Hardware

10-24 x 3/8"



Truss head bolts and nut assembly of locker body parts. Tighten nut with a wrench or nut driver. (Bolt has no slot for a screw driver and is therefore tamper resistant.)



Number Plate

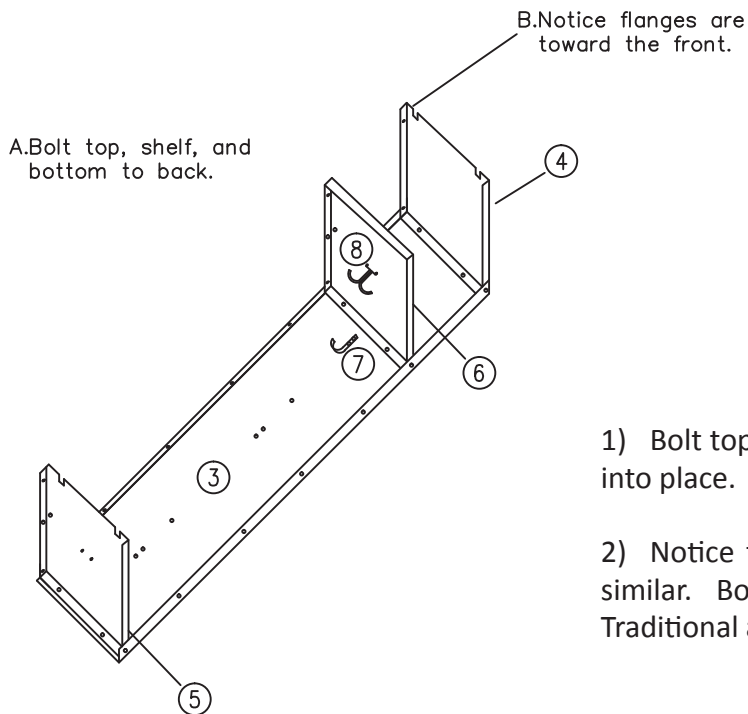
10-24 x 1/2"



Truss head bolt and nut used in joining locker banks, locker legs and 2 hooks with shared sides. Tighten nut with a wrench or nut driver. (Bolt has not slot for a screwdriver and is therefore tamper resistant).



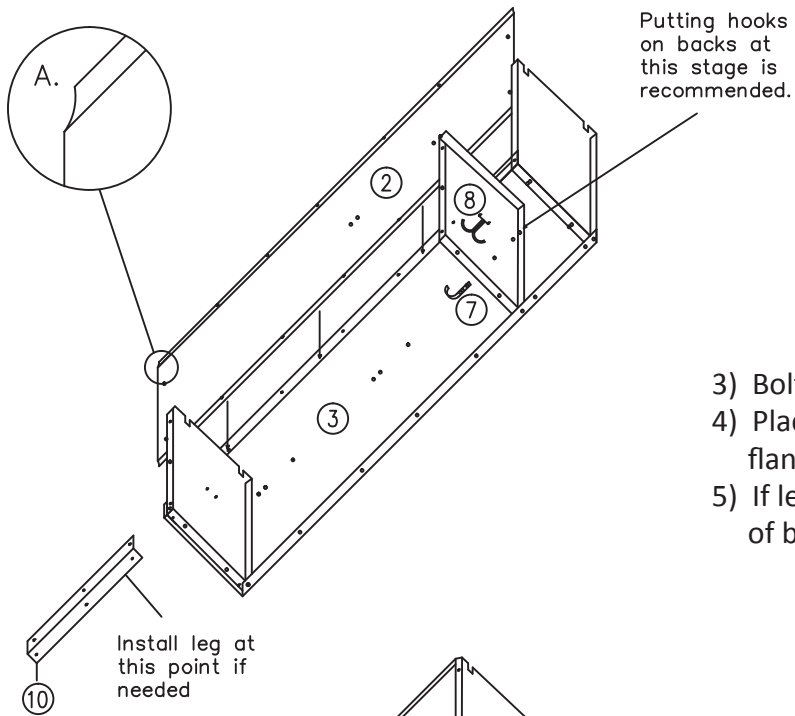
Number Plate Rivets



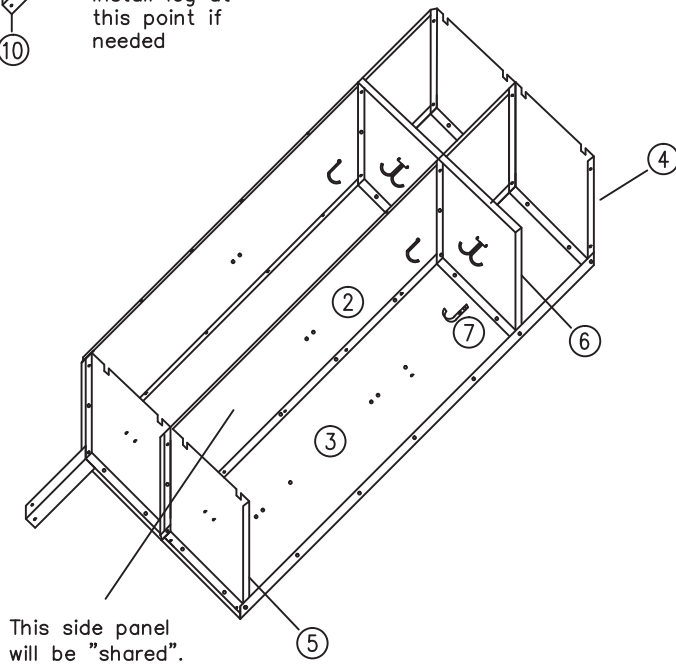
1) Bolt top, middle, and bottom shelves into place.

2) Notice that flat top and bottom are similar. Bottom is thicker gauge for Traditional and Traditional Plus lockers.

A. Note the tapered edge. The sides of the locker should be set inside of the back and the edge should "step" inward to allow the outer frame to cap the locker.

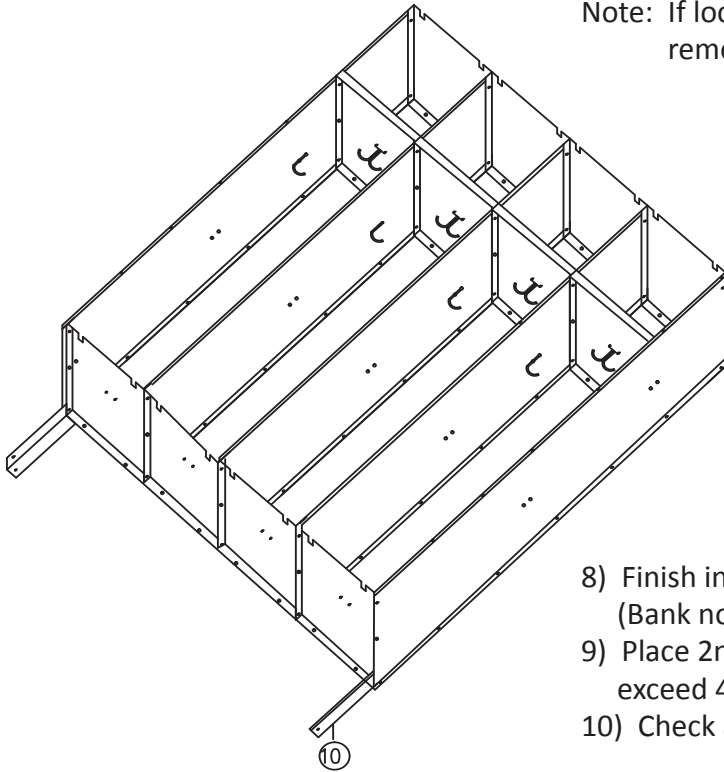


- 3) Bolt Single hook to back panel.
- 4) Place the side panel inside of back flange and bolt into place (See A).
- 5) If legs are needed bolt legs to bottom of back and side panel.

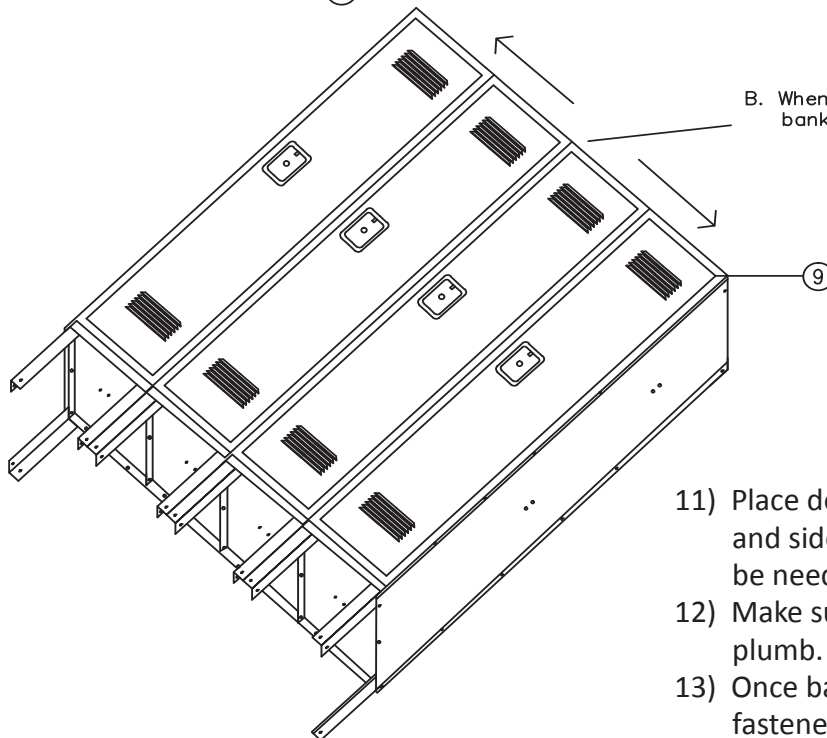


- 6) Bolt both side hooks into place on shared panel.
- 7) Bolt 2nd set of tops, bottom, shelf and hooks into place.

Note: If lockers come assembled, side rivets will need to be removed for anchoring to adjacent bank.



- 8) Finish installing locker components to finish bank. (Bank not to exceed 48").
- 9) Place 2nd rear leg into place (Rear leg spacing not to exceed 48").
- 10) Check all hooks and interior equipment for installation.



B. When placing doors. Start from the middle banks and work to the outside.

- 11) Place door and frame over the tops, bottom, and side panels (See B - Adjustments may be needed, use rubber mallet).
- 12) Make sure all doors and frames fit flush and plumb.
- 13) Once bank is assembled make sure all fastened are tight and secure.