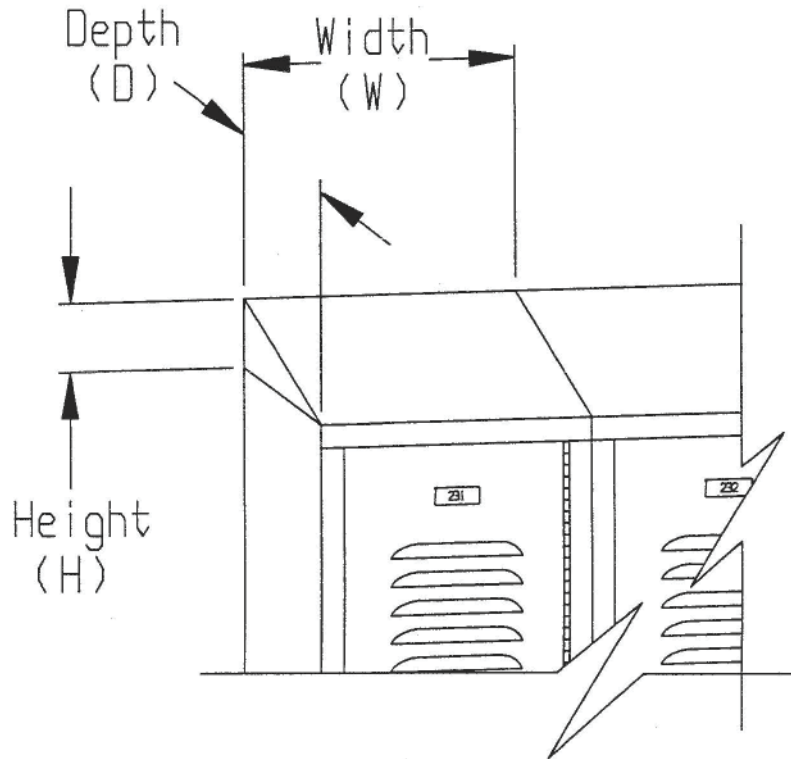


INDIVIDUAL

Date Issued 01-17



| SIZE (inches) | | |
|------------------|----|---|
| W | D | H |
| 12 | 12 | 4 |
| 12 | 15 | 5 |
| 12 | 18 | 6 |
| 15 | 15 | 5 |
| 15 | 18 | 6 |
| 18 | 18 | 6 |

SPECIFICATION

Individual slope tops shall be 24 gauge sheet steel, powder coated to match the color of the lockers. Tops shall be formed to a slope which rises 1/3 of the locker depth.

THIS MANUFACTURER RESERVES THE RIGHT TO MAKE CHANGES IN DESIGN OR DIMENSIONS WITHOUT FORMAL NOTICE