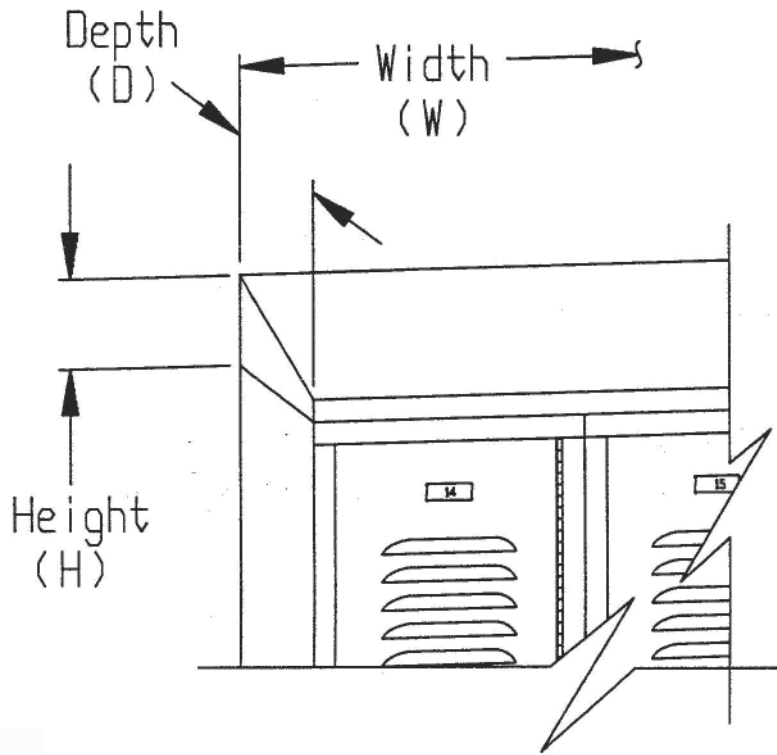


**CONTINUOUS**

Date Issued 01-17



SIZE (inches)		
W	D	H
72	12	5
72	15	6
72	18	7
72	21	8
72	24	9

**SPECIFICATION**

Continuous Slope Hood shall be 18 gauge sheet steel, powder coated to match color of lockers. Hood are 72 inches in length. For longer lengths, slip joints without visible fasteners at splice locations are provided. End closures are also provided. The slope has a rise equal to 1/3 of the locker depth, plus a 1 inch vertical rise at the front.

THIS MANUFACTURER RESERVES THE RIGHT TO MAKE CHANGES IN DESIGN OR DIMENSIONS WITHOUT FORMAL NOTICE