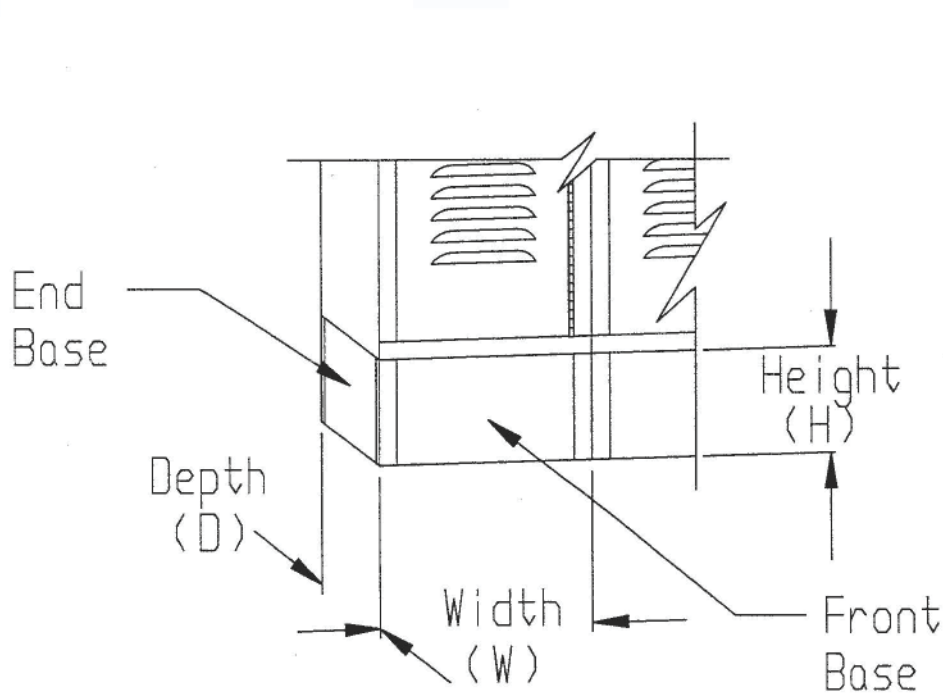


FRONT & CLOSED END

Date Issued 01-17



SIZE (inches)	
FRONT BASE	
W	H
12	6
15	6
18	6
24	6
CLOSED END BASE	
D	H
12	6
15	6
18	6
21	6
24	6

SPECIFICATION

Front Base and Closed End Base shall be 18 gauge sheet steel, powder coated to match color of the lockers. Front bases shall be installed between front legs without overlap or exposed fasteners. End bases shall be installed between the front and rear legs of lockers at the end of a row.

THIS MANUFACTURER RESERVES THE RIGHT TO MAKE CHANGES IN DESIGN OR DIMENSIONS WITHOUT FORMAL NOTICE