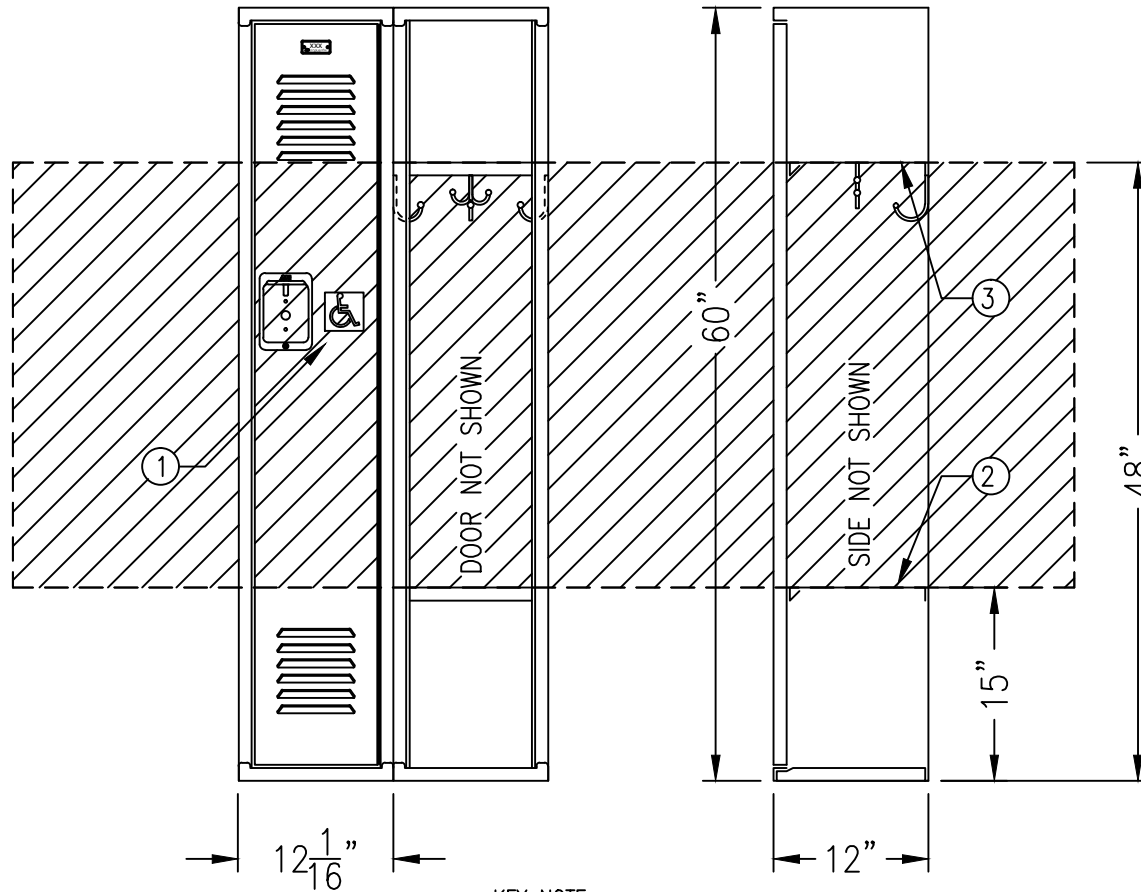




ASI Traditional SGL Tier 12 x 12 x 60



KEY NOTE:

- ① ADA STICKER. ADA LOCKERS ONLY.
- ② ADA SHELF LOCATED 15" ABOVE FINISHED FLOOR.
- ③ ADA SHELF LOCATED 48" ABOVE FINISHED FLOOR.

- 1. Your approval of these Shop Drawings overrides any other specifications or documentation.
- 2. Please check & approve; material will be manufactured as shown on these drawings.
- 3. Number plate sequence determined by production, unless otherwise noted.
- 4. Number plates and locks will ship loose unless otherwise noted.
- 5. This document and information it discloses are exclusive property of ASI Storage Solutions, Inc. Any reproduction or use of this drawing, in part or in whole, without express consent of the proprietor is prohibited.



2171 Liberty Hill RD
Eastanolee, GA 30538

Distributor # :
Job Name :
Location :
Customer PO:

Page # : 1 of 12

Scale : NTS

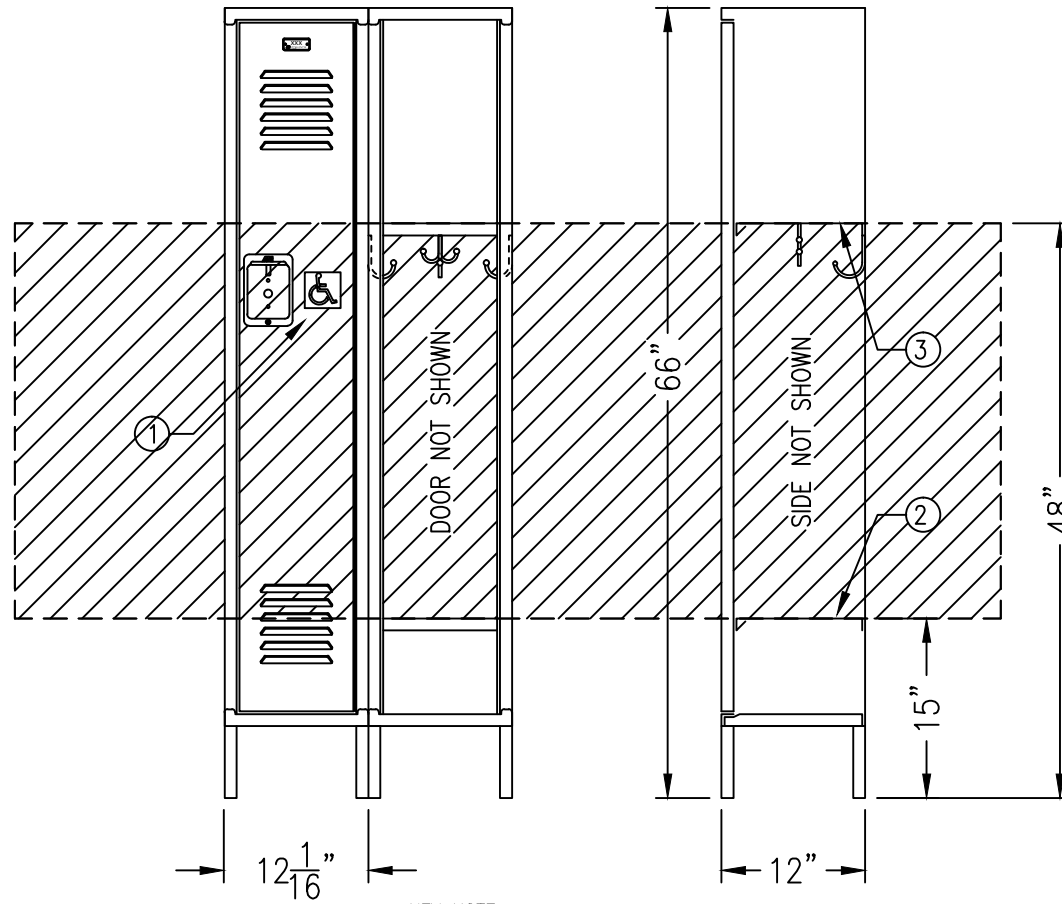
Drawing

No.	Date	By
1		

SO. # ADA SPACE



ASI Traditional SGL Tier 12 x 12 x 66



KEY NOTE:

- ① ADA STICKER. ADA LOCKERS ONLY.
- ② ADA SHELF LOCATED 15" ABOVE FINISHED FLOOR.
- ③ ADA SHELF LOCATED 48" ABOVE FINISHED FLOOR.

1. Your approval of these Shop Drawings overrides any other specifications or documentation.
2. Please check & approve; material will be manufactured as shown on these drawings.
3. Number plate sequence determined by production, unless otherwise noted.
4. Number plates and locks will ship loose unless otherwise noted.
5. This document and information it discloses are exclusive property of ASI Storage Solutions, Inc. Any reproduction or use of this drawing, in part or in whole, without express consent of the proprietor is prohibited.



2171 Liberty Hill RD
Eastanolee, GA 30538

Distributor # :
Job Name :
Location :
Customer PO :

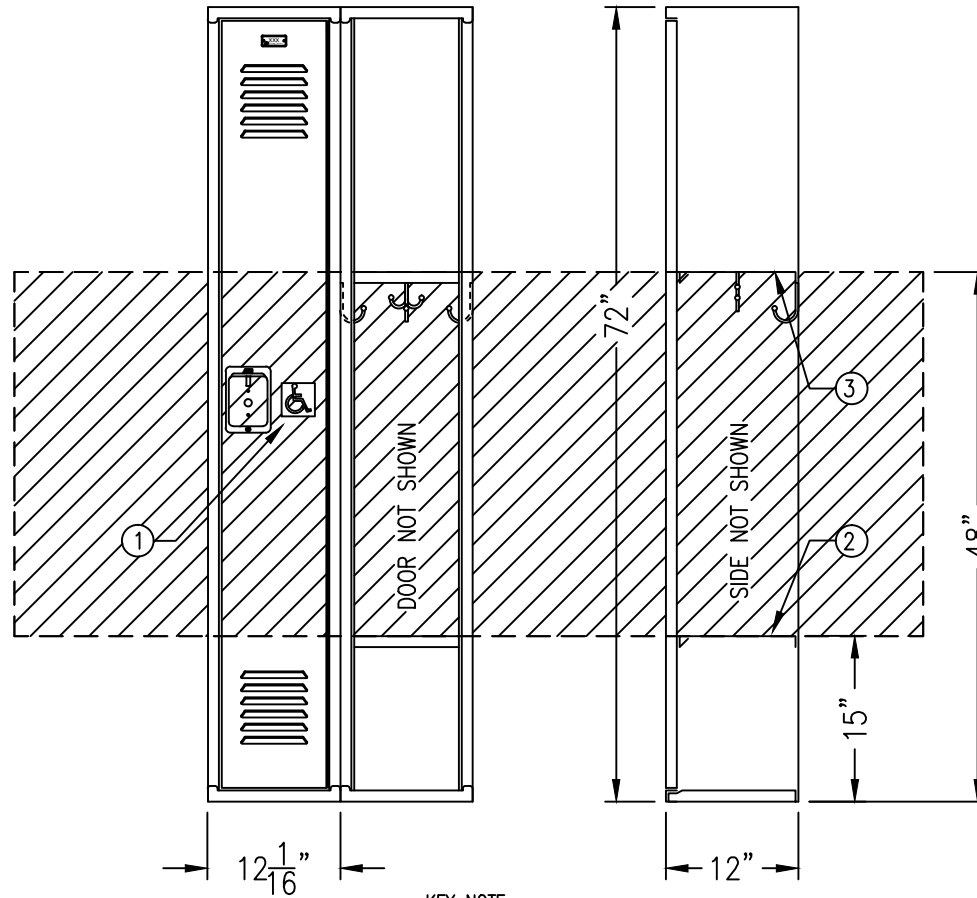
Page # : 2 of 12

Scale : NTS

Drawing		
No.	Date	By
1		
SO. # ADA SPACE		



ASI Traditional SGL Tier 12 x 12 x 72



KEY NOTE:

- ① ADA STICKER. ADA LOCKERS ONLY.
- ② ADA SHELF LOCATED 15" ABOVE FINISHED FLOOR.
- ③ ADA SHELF LOCATED 48" ABOVE FINISHED FLOOR.

1. Your approval of these Shop Drawings overrides any other specifications or documentation.
2. Please check & approve; material will be manufactured as shown on these drawings.
3. Number plate sequence determined by production, unless otherwise noted.
4. Number plates and locks will ship loose unless otherwise noted.
5. This document and information it discloses are exclusive property of ASI Storage Solutions, Inc. Any reproduction or use of this drawing, in part or in whole, without express consent of the proprietor is prohibited.



2171 Liberty Hill RD
Eastanolee, GA 30538

Distributor # :
Job Name :
Location :
Customer PO:

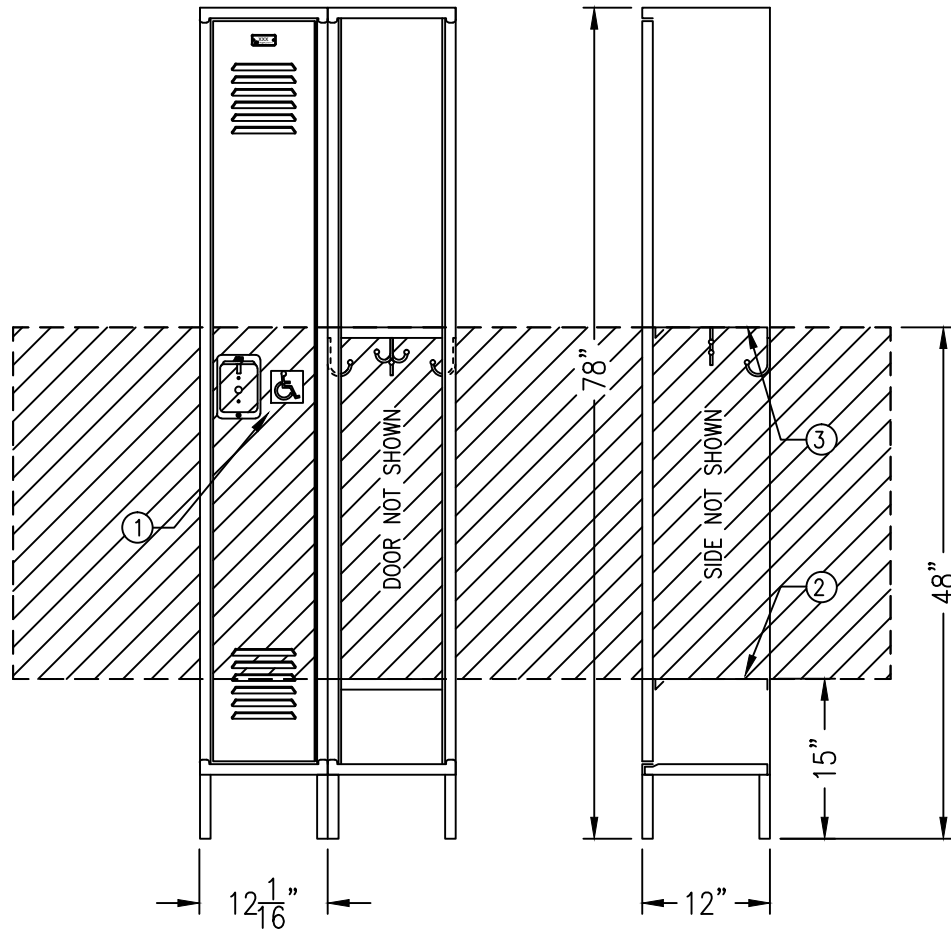
Page # : 3 of 12

Scale : NTS

Drawing		
No.	Date	By
1		
SO. # ADA SPACE		



ASI Traditional SGL Tier 12 x 12 x 78



KEY NOTE:

- ① ADA STICKER. ADA LOCKERS ONLY.
- ② ADA SHELF LOCATED 15" ABOVE FINISHED FLOOR.
- ③ ADA SHELF LOCATED 48" ABOVE FINISHED FLOOR.

1. Your approval of these Shop Drawings overrides any other specifications or documentation.
2. Please check & approve; material will be manufactured as shown on these drawings.
3. Number plate sequence determined by production, unless otherwise noted.
4. Number plates and locks will ship loose unless otherwise noted.
5. This document and information it discloses are exclusive property of ASI Storage Solutions, Inc. Any reproduction or use of this drawing, in part or in whole, without express consent of the proprietor is prohibited.



2171 Liberty Hill RD
Eastanolee, GA 30538

Distributor # :
Job Name :
Location :
Customer PO:

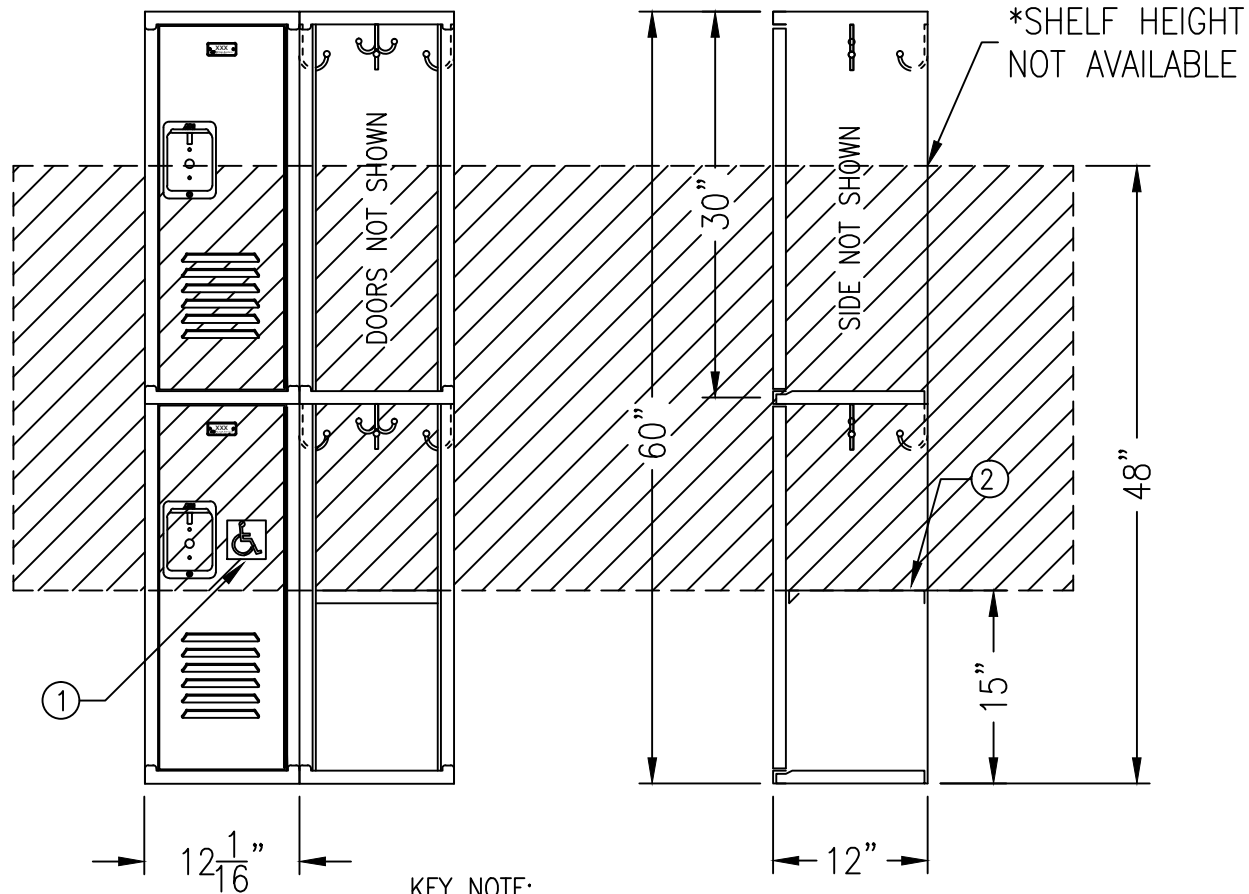
Page # : 4 of 12

Scale : NTS

Drawing		
No.	Date	By
1		
SO. # ADA SPACE		



ASI
Traditional DBL Tier
12 x 12 x 60



KEY NOTE:

- ① ADA STICKER. ADA LOCKERS ONLY.
- ② ADA SHELF LOCATED 15" ABOVE FINISHED FLOOR.

1. Your approval of these Shop Drawings overrides any other specifications or documentation.
2. Please check & approve; material will be manufactured as shown on these drawings.
3. Number plate sequence determined by production, unless otherwise noted.
4. Number plates and locks will ship loose unless otherwise noted.
5. This document and information it discloses are exclusive property of ASI Storage Solutions, Inc. Any reproduction or use of this drawing, in part or in whole, without express consent of the proprietor is prohibited.



2171 Liberty Hill RD
Eastanolee, GA 30538

Distributor # :
Job Name :
Location :
Customer PO:

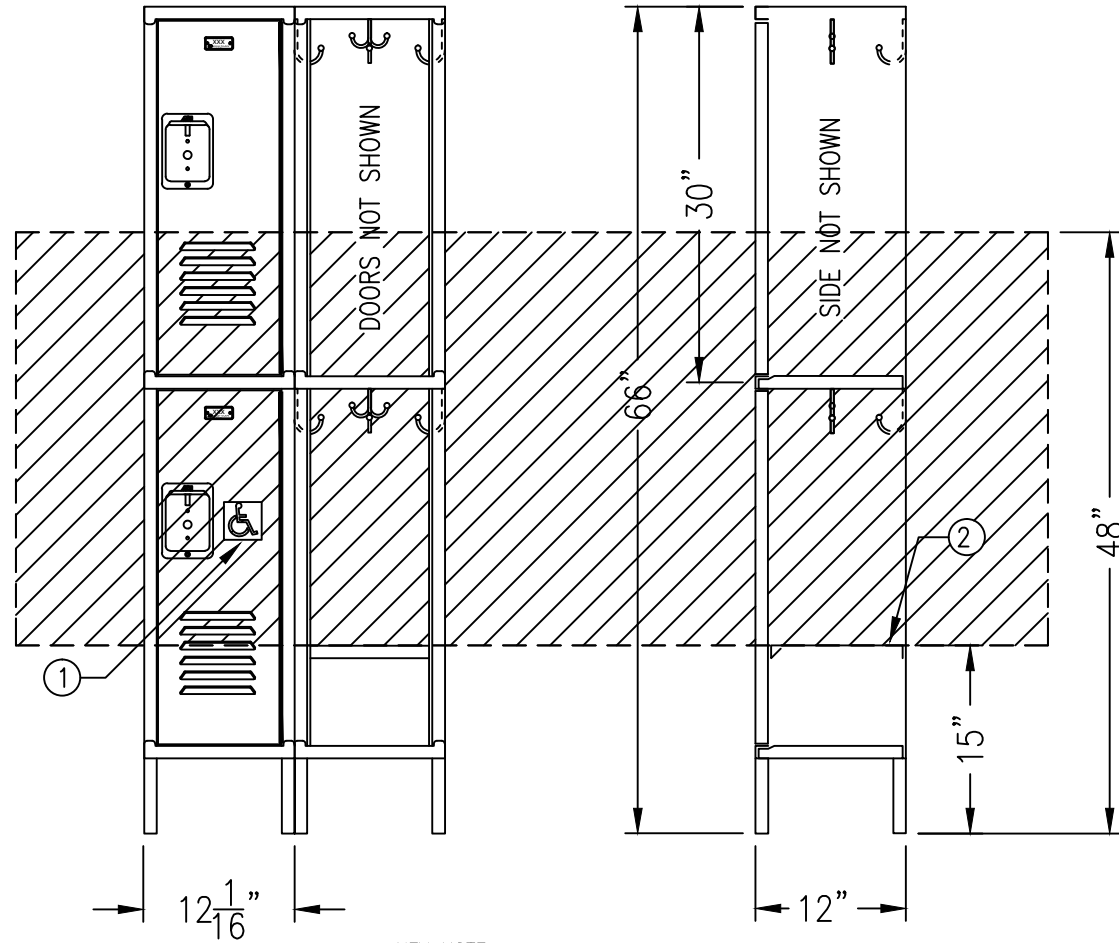
Page # : 5 of 12

Scale : NTS

Drawing		
No.	Date	By
1		
SO. # ADA SPACE		



ASI
Traditional DBL Tier
12 x 12 x 66



KEY NOTE:

- ① ADA STICKER. ADA LOCKERS ONLY.
- ② ADA SHELF LOCATED 15" ABOVE FINISHED FLOOR.

1. Your approval of these Shop Drawings overrides any other specifications or documentation.
2. Please check & approve; material will be manufactured as shown on these drawings.
3. Number plate sequence determined by production, unless otherwise noted.
4. Number plates and locks will ship loose unless otherwise noted.
5. This document and information it discloses are exclusive property of ASI Storage Solutions, Inc. Any reproduction or use of this drawing, in part or in whole, without express consent of the proprietor is prohibited.



2171 Liberty Hill RD
Eastanolee, GA 30538

Distributor # :
Job Name :
Location :
Customer PO :

Page # : 6 of 12

Scale : NTS

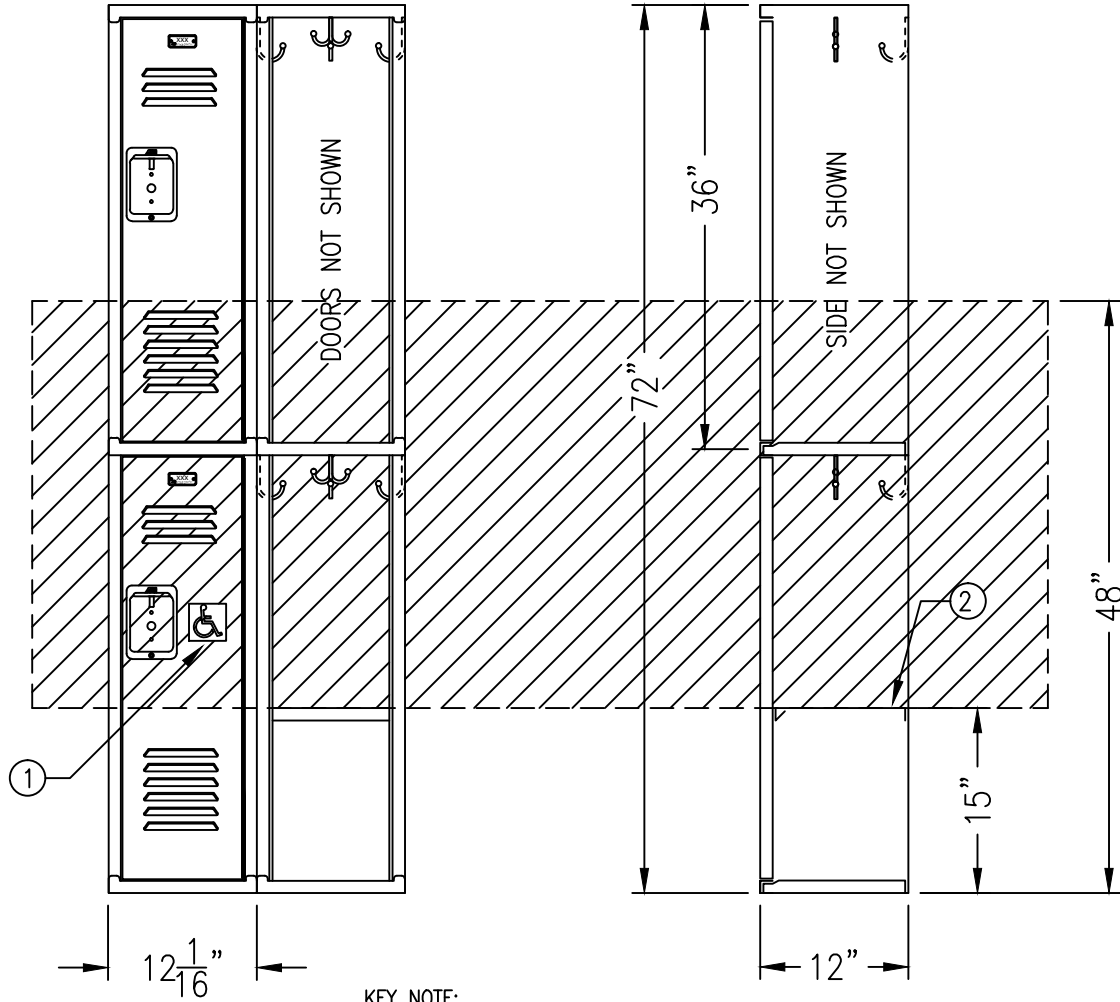
Drawing

No.	Date	By
1		

SO. # ADA SPACE



ASI Traditional DBL Tier 12 x 12 x 72



KEY NOTE:

- ① ADA STICKER. ADA LOCKERS ONLY.
- ② ADA SHELF LOCATED 15" ABOVE FINISHED FLOOR.

1. Your approval of these Shop Drawings overrides any other specifications or documentation.
2. Please check & approve; material will be manufactured as shown on these drawings.
3. Number plate sequence determined by production, unless otherwise noted.
4. Number plates and locks will ship loose unless otherwise noted.
5. This document and information it discloses are exclusive property of ASI Storage Solutions, Inc. Any reproduction or use of this drawing, in part or in whole, without express consent of the proprietor is prohibited.



2171 Liberty Hill RD
Eastanolee, GA 30538

Distributor # :

Job Name :

Location :

Customer PO:

Page # : 7 of 12

Drawing

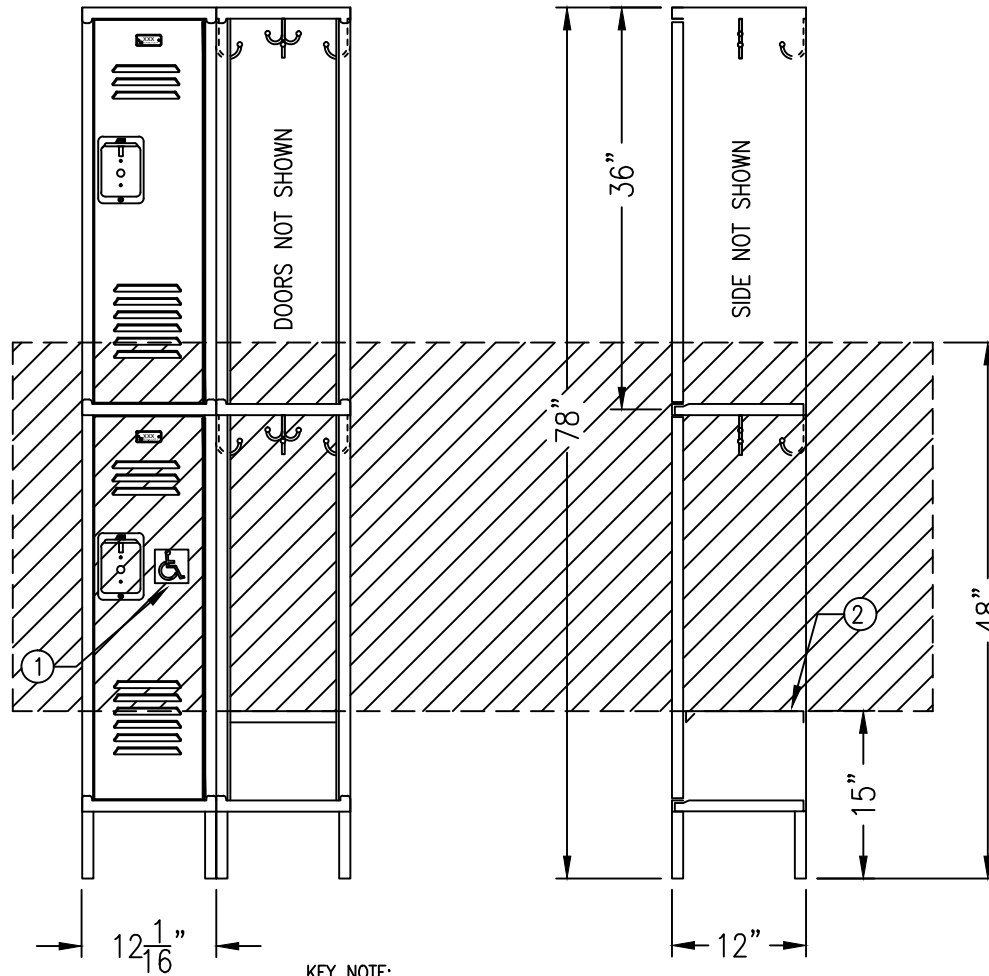
No.	Date	By
1		

Scale : NTS

SO. # ADA SPACE



ASI
 Traditional DBL Tier
 12 x 12 x 78



KEY NOTE:

- ① ADA STICKER. ADA LOCKERS ONLY.
- ② ADA SHELF LOCATED 15" ABOVE FINISHED FLOOR.

1. Your approval of these Shop Drawings overrides any other specifications or documentation.
2. Please check & approve; material will be manufactured as shown on these drawings.
3. Number plate sequence determined by production, unless otherwise noted.
4. Number plates and locks will ship loose unless otherwise noted.
5. This document and information it discloses are exclusive property of ASI Storage Solutions, Inc. Any reproduction or use of this drawing, in part or in whole, without express consent of the proprietor is prohibited.

ASI Storage Solutions
 2171 Liberty Hill RD
 Eastanolee, GA 30538

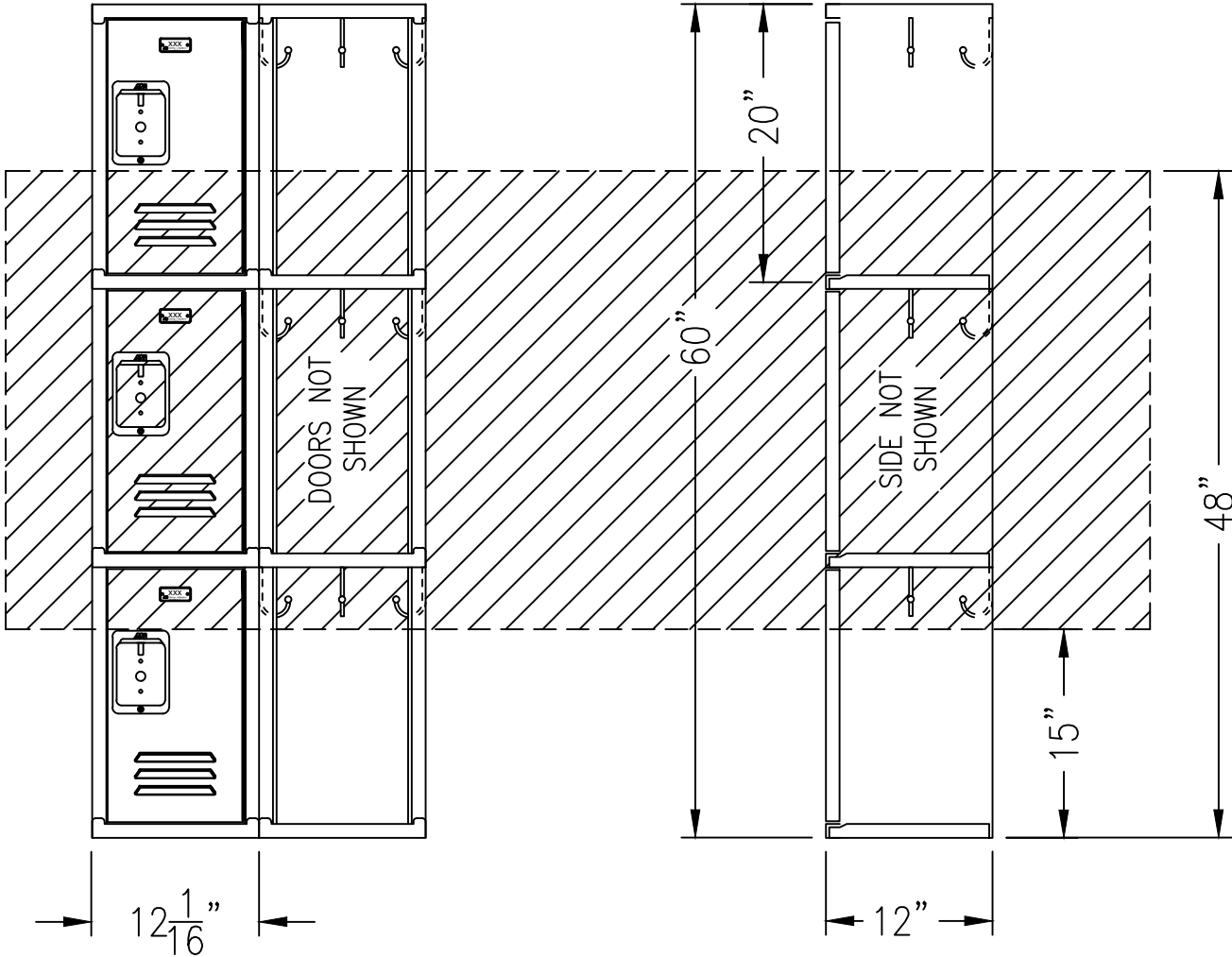
Distributor # :
 Job Name :
 Location :
 Customer PO:

Page # : 8 of 12

Scale : NTS

Drawing		
No.	Date	By
1		
SO. # ADA SPACE		

ASI Traditional 3-Tier 12 x 12 x 60



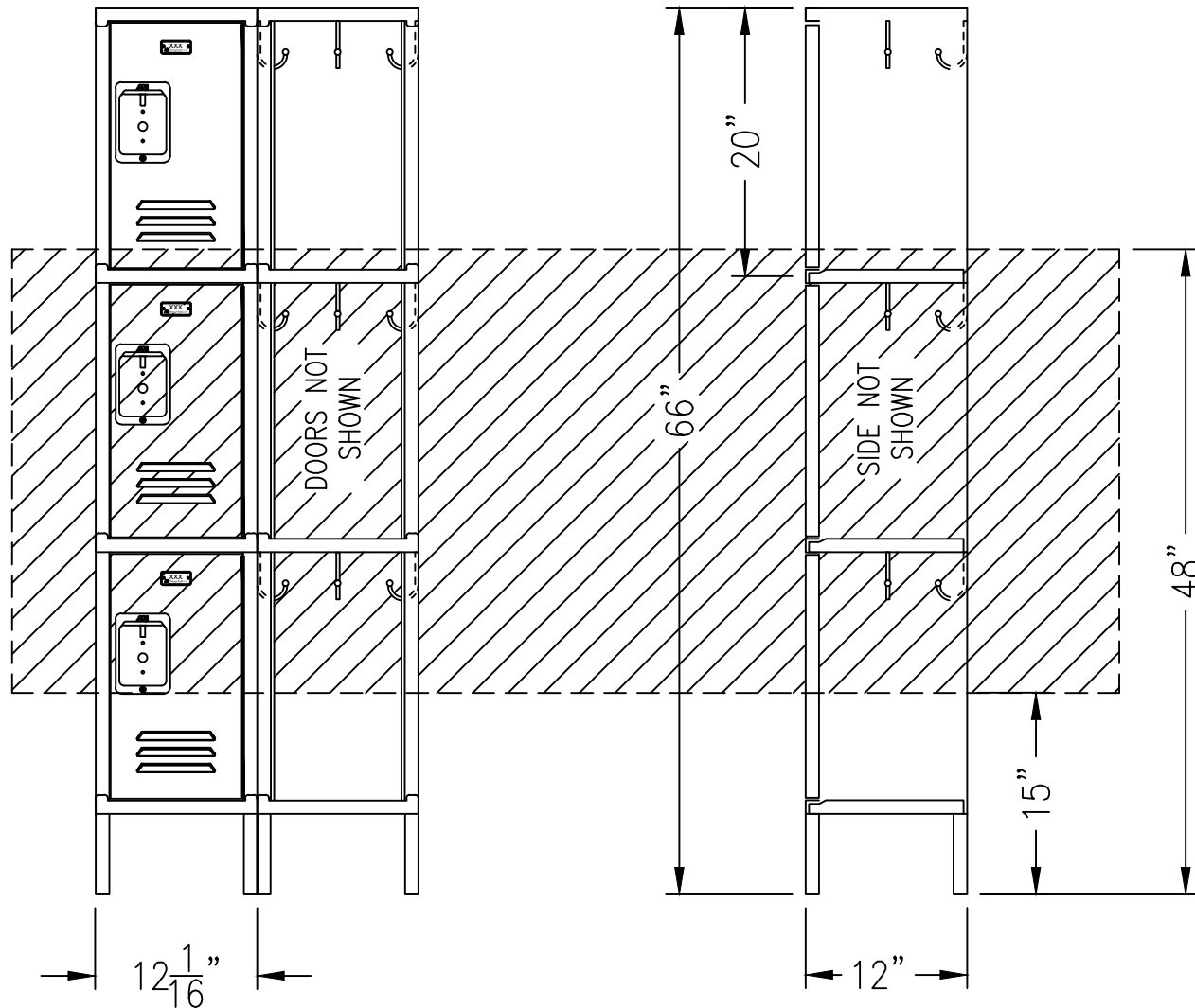
1. Your approval of these Shop Drawings overrides any other specifications or documentation.
2. Please check & approve; material will be manufactured as shown on these drawings.
3. Number plate sequence determined by production, unless otherwise noted.
4. Number plates and locks will ship loose unless otherwise noted.
5. This document and information it discloses are exclusive property of ASI Storage Solutions, Inc. Any reproduction or use of this drawing, in part or in whole, without express consent of the proprietor is prohibited.

ASI Storage Solutions
2171 Liberty Hill RD
Eastanolee, GA 30538

Distributor # :
Job Name :
Location :
Customer PO:
Page # : 9 of 12

Drawing		
No.	Date	By
1		
Scale : NTS		SO. # ADA SPACE

ASI Traditional 3-Tier 12 x 12 x 66



1. Your approval of these Shop Drawings overrides any other specifications or documentation.
2. Please check & approve; material will be manufactured as shown on these drawings.
3. Number plate sequence determined by production, unless otherwise noted.
4. Number plates and locks will ship loose unless otherwise noted.
5. This document and information it discloses are exclusive property of ASI Storage Solutions, Inc. Any reproduction or use of this drawing, in part or in whole, without express consent of the proprietor is prohibited.



2171 Liberty Hill RD
Eastanolee, GA 30538

Distributor # :

Job Name :

Location :

Customer PO:

Page # :10of 12

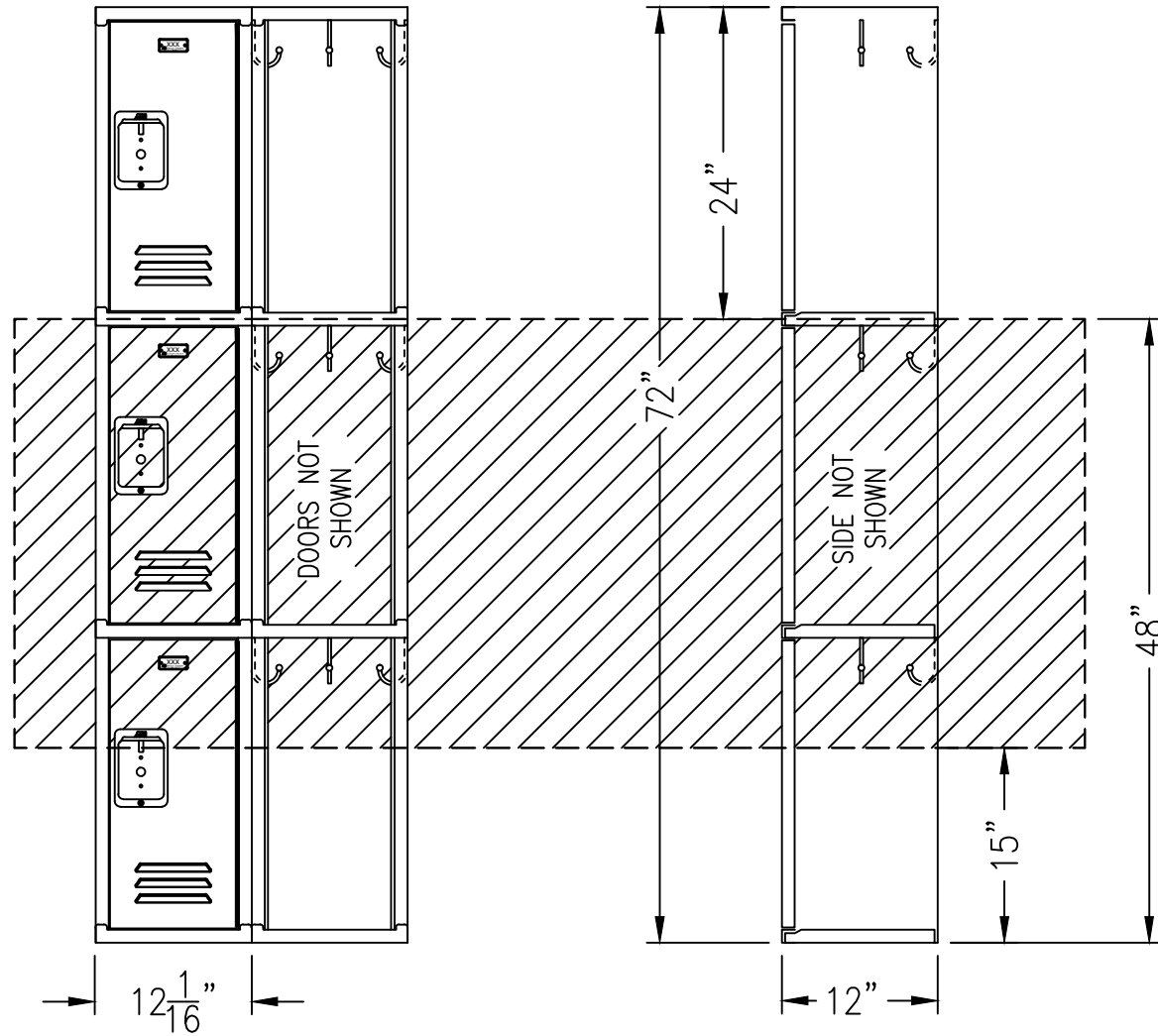
Drawing

No.	Date	By
1		

Scale : NTS

SO. # ADA SPACE

ASI Traditional 3-Tier 12 x 12 x 72



1. Your approval of these Shop Drawings overrides any other specifications or documentation.
2. Please check & approve; material will be manufactured as shown on these drawings.
3. Number plate sequence determined by production, unless otherwise noted.
4. Number plates and locks will ship loose unless otherwise noted.
5. This document and information it discloses are exclusive property of ASI Storage Solutions, Inc. Any reproduction or use of this drawing, in part or in whole, without express consent of the proprietor is prohibited.



2171 Liberty Hill RD
Eastanolee, GA 30538

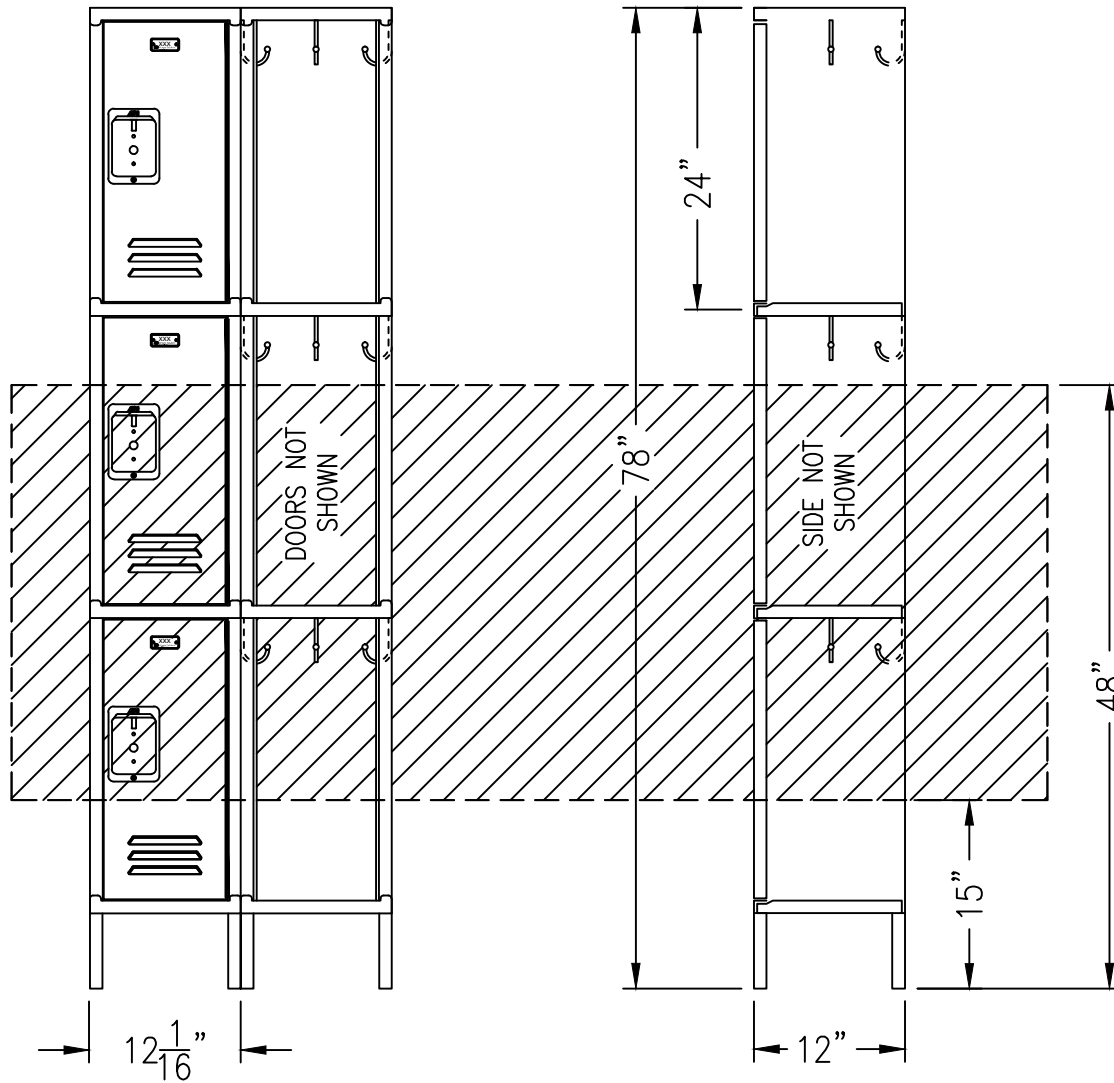
Distributor # :
Job Name :
Location :
Customer PO :

Page # : 11 of 12

Scale : NTS

Drawing		
No.	Date	By
1		
SO. # ADA SPACE		

ASI Traditional 3-Tier 12 x 12 x 78



1. Your approval of these Shop Drawings overrides any other specifications or documentation.
2. Please check & approve; material will be manufactured as shown on these drawings.
3. Number plate sequence determined by production, unless otherwise noted.
4. Number plates and locks will ship loose unless otherwise noted.
5. This document and information it discloses are exclusive property of ASI Storage Solutions, Inc. Any reproduction or use of this drawing, in part or in whole, without express consent of the proprietor is prohibited.



2171 Liberty Hill RD
Eastanolee, GA 30538

Distributor # :
Job Name :
Location :
Customer PO:

Page # :12of 12

Scale : NTS

Drawing

No.	Date	By
1		

SO. # ADA SPACE